



B-110 Series Cast Iron Shower Drain



- Cast Iron Body
- 4 1/4" Cast Brass Strainer
- Threaded Cast Iron Clamping Ring
- Polished Brass or Chrome Plated finish

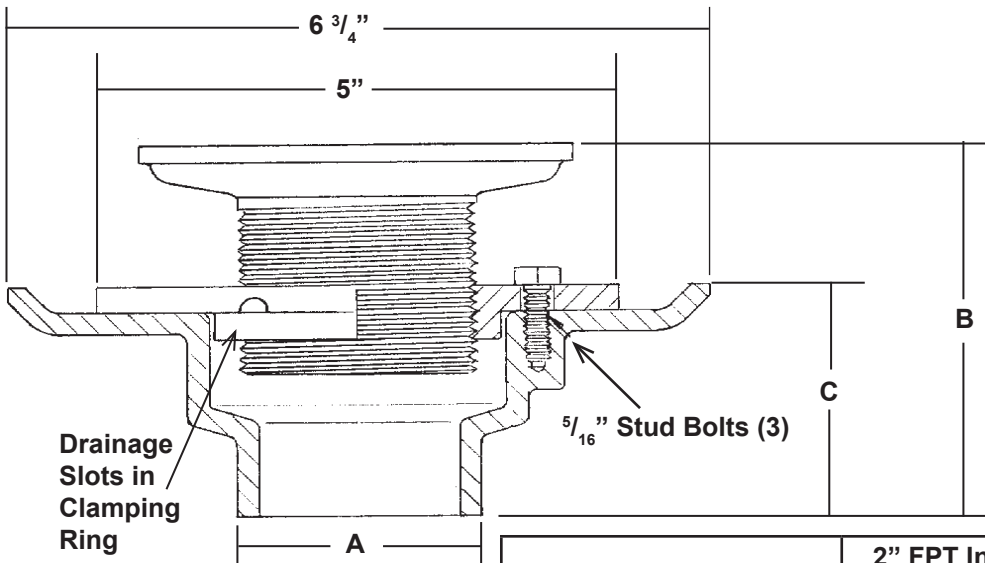
With P-315 Brass Strainer

ORDERING

B-110CL-012

<p>Inlet CL- 2" Caulk Type FE- 2" Female Pipe Thread PL- 2" Plain End-No Hub</p>	<p>→</p>	<p>Strainer 012- Chrome Plated Brass 013- Polished Brass</p>
--	----------	---

ROUGH-IN DIMENSIONS



	2" FPT Inlet	2" Caulk Inlet	2" No Hub
"A" Length	3 1/4"	3 1/4"	2 5/16"
"B" Maximum Length	4 5/16"	4 1/2"	5 3/16"
"B" Minimum Length	3"	3 3/16"	4 1/16"
"C" Length	2"	2 3/16"	2 9/16"