



Build With Purpose

Installation Instructions for the PRIER C-633/C-634 Commercial Wall Hydrant Box

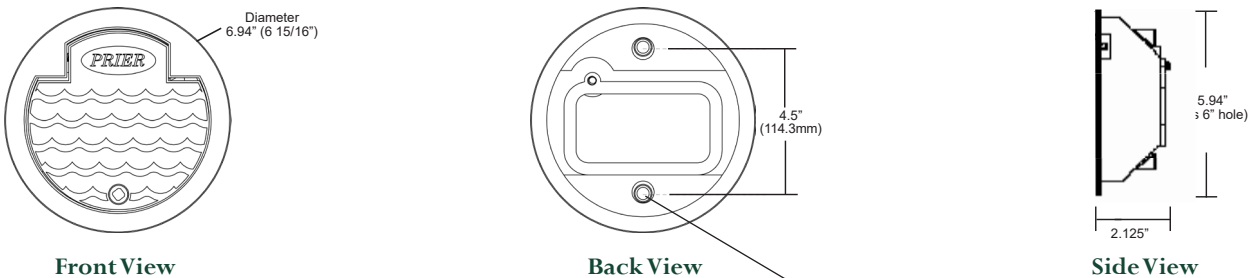
Please leave this sheet for the property homeowner

INSTALLATION

For use with the C-633 and C-634 wall hydrants.

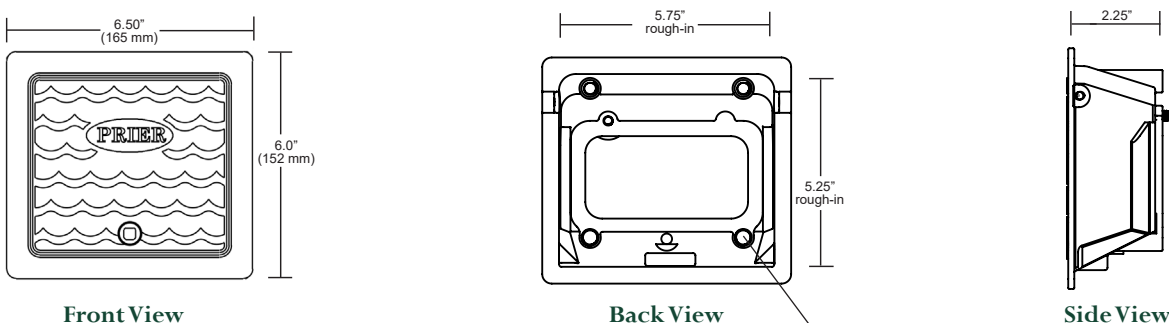
1. Determine where on the wall you want to install your hydrant.
2. For a rectangular box (BX1, BX2 or BX3), cut a 5 3/4" wide x 5 1/4" high rectangular hole as shown in the drawings below. For a round box (RB1) drill or cut a 6" diameter hole.
3. The hole that must be at least 2 1/4" deep to receive the box.
4. After making the hole, apply construction adhesive to waterproof and help hold the box in place. Once the adhesive has been applied, insert the box into the hole and make sure it is level.
5. The box also has 3/8-16" allthread bosses on the back to further stabilize this product in the building. Using allthread rod, secure the box by connecting it to the wall studs.
6. The box is now installed and ready to receive the gasket and hydrant.
7. Insert the enclosed rubber gasket into the back cavity of the box before installing the hydrant. The gasket is provided to prevent water intrusion into the interior of the building through the back of the box. Once the gasket is in place, insert the hydrant pipe through the large hole in the gasket and slide the hydrant head behind the two prongs in the bottom of the box that secure it.
8. Thread the large-headed screw above the head to secure the hydrant in place. A C-clamp is provided with the hydrant and box to aid in securing the hydrant to the box if necessary.
9. Connect the hydrant inlet to the water supply.
10. You are now finished and have installed the C-634 Box and Hydrant.

ROUND BOX ROUGH-IN DIMENSIONS



3/8-16" Threaded Bosses (2)
Use to Install w/ Allthread

SQUARE BOX ROUGH-IN DIMENSIONS



3/8-16" Threaded Bosses (4)
Use to Install w/ Allthread