



4515 East 139th Street
 Grandview, MO 64030
 (800) 362-9055
 Fax (800) 362-1463
www.PRIER.com

Liquid Level Control Valve

Mansfield Style 370 Series



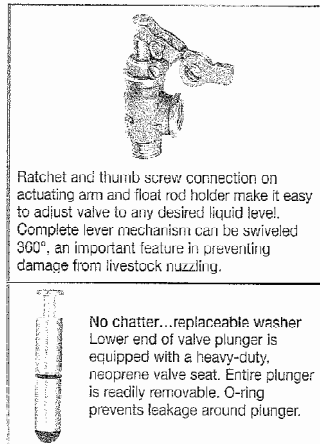
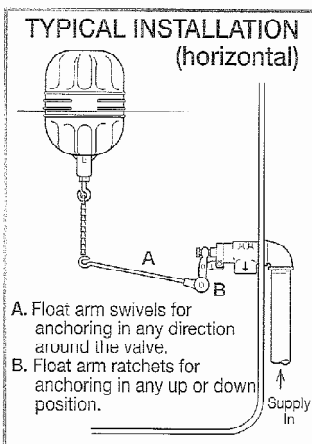
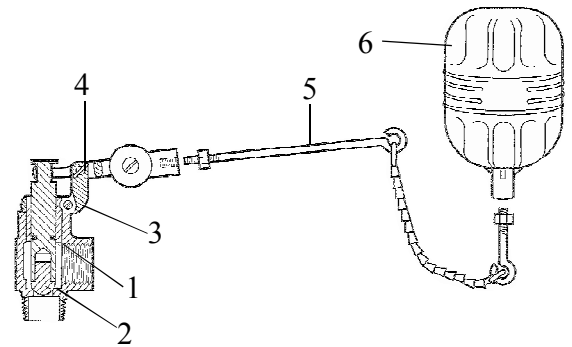
- For cooling towers, stock tanks, poultry troughs, oil level control and other uses.
- Maintains liquids at the level you set
- Horizontal or Vertical Installation
- 1/2" or 3/4" Male IPS Inlet x 1/2" Female IPS Outlet
- Includes 6" Rod, Chain & Float ball
- Durable Cast Brass Construction
- Heavy Duty Neoprene Valve Seat
- Positive opening and closing with no leaks or chatter
- Each Valve individually tested.

Ordering

370-12

Inlet Size

12 1/2" MIP x 1/2" FIP
34 3/4" MIP x 1/2" FIP



ID	Part No.	Description
1	936-3001	O-Ring
2	736-3002	Neoprene Valve Seat
3	910-3002	Brass Round Head Screw
4	910-3004	Brass Thumb Screw
5	123-1341	Float Rod & Chain Assembly
6	267-3001	Polyethylene Float Ball
1,2,3,4	630-7057	Repair Kit