

**ORIGINAL STYLE**  
**Manufactured 2006-April 2013**



4515 East 139th Street  
 Grandview, MO 64030  
 (800) 362-9055  
 Fax (800) 362-1463  
 www.PRIER.com

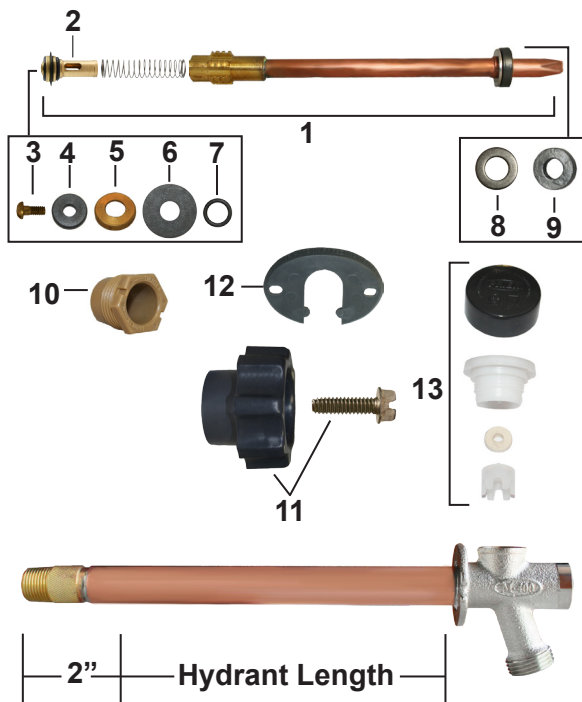
## 400 Series Freezeless Wall Hydrant



- Freezeless
- Anti-Siphon
- Solid Brass Body



Replacement Parts and Stems



ID	Part No.	Description
1	See Below	Stem Assembly, Contains: 1-10
2	231-3201	BFP Sub Assembly
3	910-3008	Bibb Screw (Brass)
4	936-3012	Bibb Washer (Rubber)
5	310-3016	Cage Washer (Brass)
6	936-3011	BFP Washer (Rubber)
7	936-3002	Stem End O-Ring (Rubber)
8	324-1006	Washer (Stainless Steel)
9	339-3002	Packing for Left Hand Packing Nut (Graphite)
10	337-3001	Left Hand Thread Packing Nut (Plastic)
11	630-7965	Handle & Screw Kit (Grey Plastic Handle & Stainless Steel Screw)
	630-7975	Handle & Screw Kit (Beige Plastic Handle & Stainless Steel Screw)
12	337-3012	Space Wedge (Grey, Plastic)
	337-3013	Space Wedge (Beige, Plastic)
13	630-7500	Vacuum Breaker Replacement Kit (Plastic Parts with Rubber Washer)
	630-7755	Service Kit for 300/400/500 Series Contains: 3-10
	630-8500	Complete Service, Handle & Vacuum Breaker Kit

\*The 630-7755 Wall Hydrant Repair Kit includes parts for the 300, 400 and 500 Series hydrants, some of which are not pictured here. When repairing a hydrant you will have parts left over.

\*The 630-7500 Universal Vacuum Breaker Kit is manufactured to fit this model, along with all current and past PRIER and Mansfield style residential hydrants. Please note this cap is now aluminum.



**Stem Overall Length (OAL)**  
**Old Style Manufactured 2006 - April 2013**

Part No.	Description	Stem Length
M-123-4090	Stem for 4" 400 Series Hydrant	8" OAL
M-123-4092	Stem for 6 " 400 Series Hydrant	10" OAL
M-123-4093	Stem for 8" 400 Series Hydrant	12" OAL
M-123-4094	Stem for 10" 400 Series Hydrant	14" OAL
M-123-4095	Stem for 12" 400 Series Hydrant	16" OAL
M-123-4096	Stem for 14" 400 Series Hydrant	18" OAL

400 Series Stems are made to fit the 400 Series Wall Hydrants only. They are not interchangeable with any other models. \*\*For the **old style 500 Series** wall hydrant stems, see 500 Series retired style spec sheet at [www.PRIER.com](http://www.PRIER.com).