

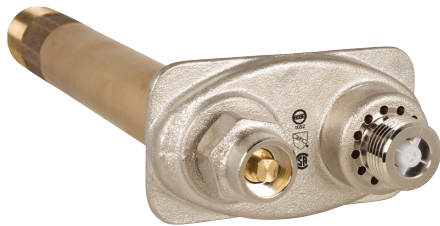


4515 East 139th Street
 Grandview, MO 64030
 (800) 362-9055
 Fax (800) 362-1463
 www.PRIER.com

C-634 Heavy Commercial Wall Hydrant

Application

With Integral P-004 Vacuum Breaker



- Commercial/Industrial
- Anti-Siphon
- Backflow Check Valve



BX1



BX2



BX3

PRIER C-634 provides a year round source of water to areas of structures that are subject to freezing temperatures. The hydrant valve is connected to the supply piping in the heated portion of the structure, eliminating the possibility of freezing. To assure freeze protection, the hydrant will drain even with the hose attached and under pressure.

The integral vacuum breaker/backflow preventor provides protection against cross-connection with the potable water system, utilizing a check valve to prevent back pressure and a vacuum breaker to vent in the case of siphonage. A removable operating key is provided to prevent unauthorized usage of the hydrant. No special installation tools are required.

Features

- High flow rate, 19 gallons per minute at 25 PSI differential
- Heavy pattern cast brass hydrant for use with or without brass or satin nickel box
- Satin nickel plated body retains original finish for years
- Heavy duty brass piping, significantly stronger than ordinary copper tubing, with threaded and sealed joints
- Simple, solderless design and solid non-ferrous operating rod for long wear life
- Patented PRIER "triple seal" positive shutoff system offers triple redundancy to assure shutoff
- Patented PRIER quick opening and modulating design require less force and fewer turns to operate
- Both 3/4" & 1" hose threads meet ASSE 1019 or ASSE 1052 & CSA B64.2 standards, listed at ASSE, CSA & IAPMO
- Multiple vent holes ensure proper draining and reduce problems associated with insect nesting
- Design enables valve to be easily secured to any type of inner wall, utilizing the provided clamping ring
- Single hole design assists in installation, the product is ideal for tilt-up construction, stone fronts or metal buildings
- Field testable as required by ASSE 1052, pressure rated to 125 PSI
- Optional stainless steel hydrant box sold separately

Ordering

Wall Hydrant Only C-634N10

Hose Thread Outlet
 4- 3/4" Garden Hose
 6- 1" Hose

Inlet
 N- 1" MPT x 3/4" FPT
 P- 1" Male SWT x 3/4" Female SWT
 V- 3/4" Copper-Press Fitting Ready

Length
 CC- Close Coupled
 04- 4" Insertion
 06- 6" Insertion
 08- 8" Insertion
 10- 10" Insertion
 12- 12" Insertion
 14- 14" Insertion
 16- 16" Insertion
 18- 18" Insertion
 20- 20" Insertion
 22- 22" Insertion
 24- 24" Insertion
 XX- Special Size



Optional Hydrant Box C-634BX1

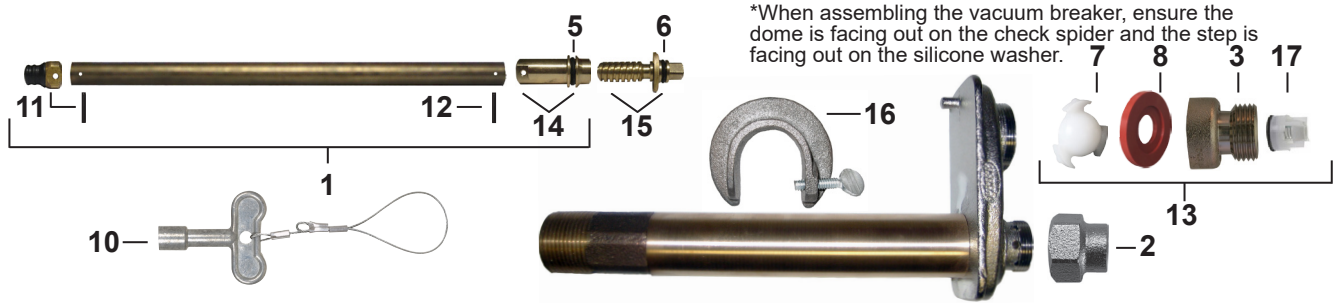
Box Finish
 1- Satin Nickel Plated
 2- Rough Brass
 3- Aluminum





4515 East 139th Street
 Grandview, MO 64030
 (800) 362-9055
 Fax (800) 362-1463
 www.PRIER.com

Replacement Parts & Stems

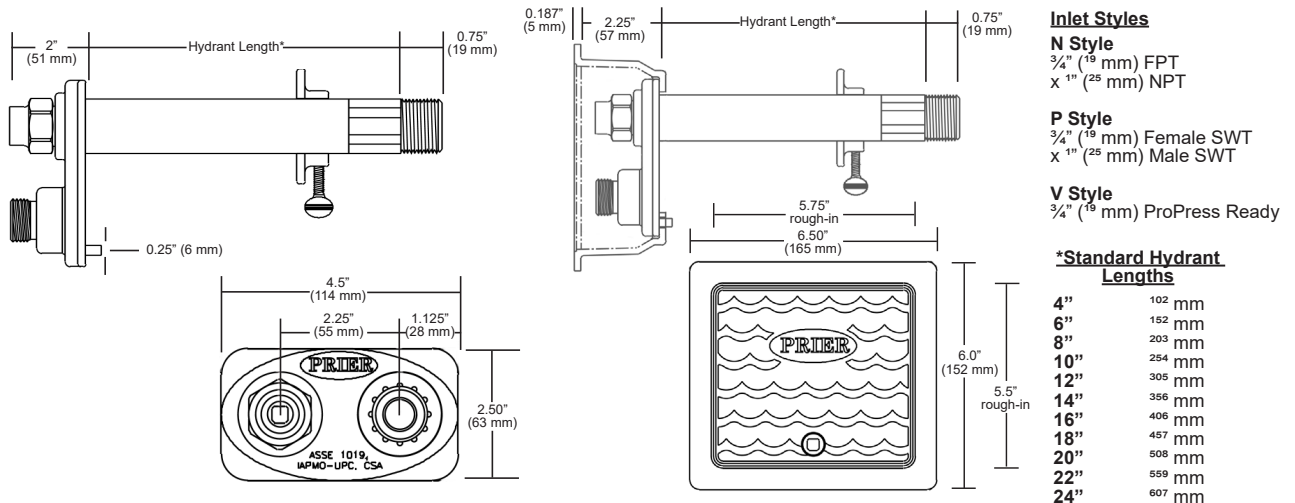


*When assembling the vacuum breaker, ensure the dome is facing out on the check spider and the step is facing out on the silicone washer.

ID	Part No.	Description	ID	Part No.	Description
1	See Below	Stem Assembly, Contains: 5, 14		310-6009	1" Hose Piece for C-636 (NP Brass)
	P-231-0604	Stem for 4" C-634 Hydrant, 4 11/16" OAL	5	336-0001	O-Ring Worm Sleeve
	P-231-0606	Stem for 6" C-634 Hydrant, 6 11/16" OAL	6	336-6001	O-Ring Worm Drive
	P-231-0608	Stem for 8" C-634 Hydrant, 8 11/16" OAL	7	337-6001	Check Spider-Vacuum Breaker
	P-231-0610	Stem for 10" C-634 Hydrant, 10 11/16" OAL	8	346-6001	Diaphragm-Vacuum Breaker
	P-231-0612	Stem for 12" C-634 Hydrant, 12 11/16" OAL	10	C-108KT-808	Loose Key on Lanyard
	P-231-0614	Stem for 14" C-634 Hydrant, 14 11/16" OAL	11	C-634KT-802	Stopper Kit, Includes Stopper and Pin
	P-231-0616	Stem for 16" C-634 Hydrant, 16 11/16" OAL	12	324-0004	Pin Only
	P-231-0618	Stem for 18" C-634 Hydrant, 18 11/16" OAL	13	C-634KT-806	Vacuum Breaker Assembly
	P-231-0620	Stem for 20" C-634 Hydrant, 20 11/16" OAL	14	C-634KT-808	Worm Sleeve with O-Ring, Pin and Tool
	P-231-0622	Stem for 22" C-634 Hydrant, 22 11/16" OAL	15	C-634KT-809	Worm Drive Assembly with O-Ring
	P-231-0624	Stem for 24" C-634 Hydrant, 24 11/16" OAL	16	C-634WCR	Wall Clamping Ring
2	300-6003	Valve Stem Cap (NP Brass)	17	399-0001	Secondary Check for ASSE 1052
3	300-6004	3/4" Hose Piece (NP Brass)		C-634KT-807	C-634 Overhaul Kit, Contains: 10, 11, 12, 13, 14

For the **old style C-634 Series wall hydrant stems, see C-634 Series retired style spec sheet at www.PRIER.com.

Rough-In Dimensions Specs



Furnish and install Model C-634 Heavy Commercial Wall Hydrant manufactured by PRIER Products, Inc. Hydrant shall be surface mount and installed through 1 3/8" round opening. Hydrant shall have automatic draining capabilities with integral vacuum breaker/backflow preventor. Hydrant shall flow 19 gallons per minute minimum at 25 PSI Differential and be at full flow in 2 handle rotations. Hydrant shaft shall be brass with threaded and sealed connections. Hydrant shall have 3/4" or 1" (choose one) hose connection with freezeless water flow and self-draining functions, one piece valve plunger, satin nickel finish, brass operating rod with positive triple seal shutoff mechanism. Hydrant shall be approved under ASSE 1052 standard. Operating key & wall clamping ring to be furnished with each hydrant. Hydrant insertion length to be 2 inches.

Optional: Furnish and install flush-mount hydrant box for each valve. Hydrant box shall be manufactured of solid cast brass with a brass, satin nickel plated brass or aluminum (choose one) finish. Box may be installed separately and hydrant be insertable and removable from front of the box. Access to the hydrant box shall be provided by the same operating key as the valve. *4" to 24" in 2" increments.