



4515 East 139th Street
 Grandview, MO 64030
 (800) 362-9055
 Fax (800) 362-1463
 www.PRIER.com

P-RH2 Post Mount Roof Hydrant

Application



close-up view



- Commercial/Industrial
- Freezeless
- Integral Backflow Preventer
- Self Draining



PRIER's P-RH2 Post Mount Roof Hydrant provides a year round source of water to roof surfaces in areas with freezing temperatures. The hydrant stands 30" above the roof for easy hose access. The hydrant valve is connected to the supply piping in the heated portion of the structure, and is self-draining, eliminating the possibility of freezing. This valve has a built in vacuum breaker that allows the hydrant to drain even if the hose is left on.

The Roof Mounting Bracket enables the hydrant to be mounted to any structural member with rigid support, instead of to the skin of the building like competitive products.

This bracket requires only a single penetration point of 1 3/4", and can be mounted to concrete, wood, steel, I-beams, truss, perlines or other structural member with standard construction materials (Unistrut, all-thread, etc.).

Features

- Triple seal EPDM stopper for long wear life
- Bracket mounts to any roof structural member (truss, I-beam, concrete roof, etc.)
- Single hole penetration of 1 3/4"
- Single person installation with standard tools
- Hydrant has 3/4" inlet and multi-pass seat for high flow rates
- Freezeless anti-siphon hydrant stands 30" above the roof for easy hose access
- Heavy duty cast iron head and lockable lever handle
- Bucket hook on spout
- Designed to be installed with standard construction materials (Unistrut, all-thread, etc.)
- Self draining with 1/8" NPT drainage port
- Repair can be easily accomplished at roof level
- Flow rate adjustment
- Optional ASSE 1052 approved vacuum breaker and backflow preventer available
- Adjustable bracket to accommodate roof angles up to 4/12

Ordering

P-RH2



Length

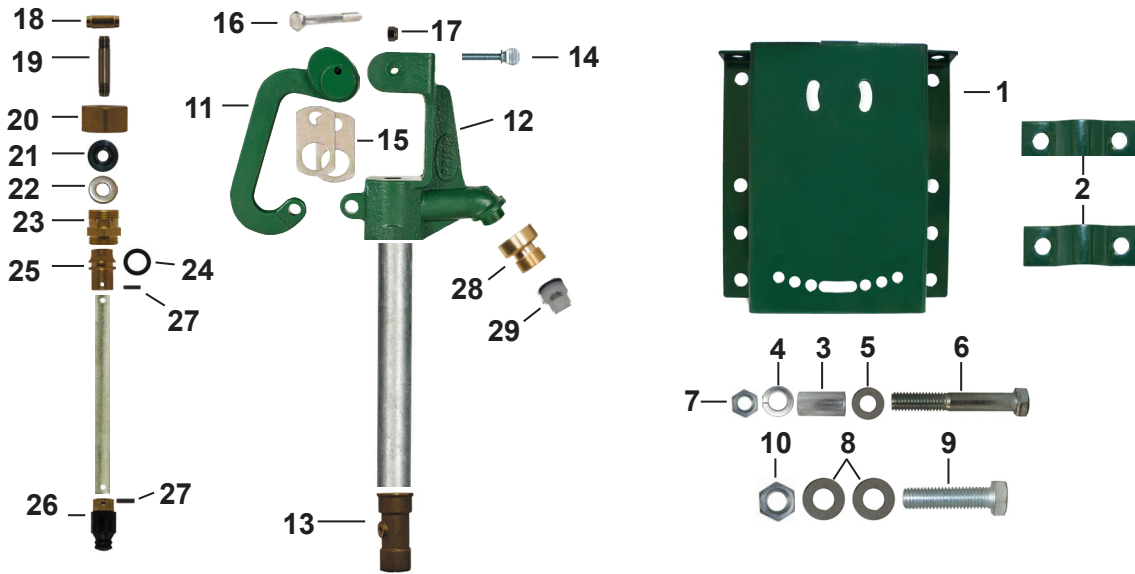
- H1- Flush Mount Roof Hydrant
- H2- Post Mount Roof Hydrant
- H3- Mild Climate Roof Hydrant
- MB- Roof Hydrant Mounting Bracket





4515 East 139th Street
 Grandview, MO 64030
 (800) 362-9055
 Fax (800) 362-1463
 www.PRIER.com

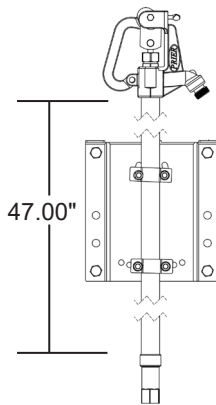
Replacement Parts



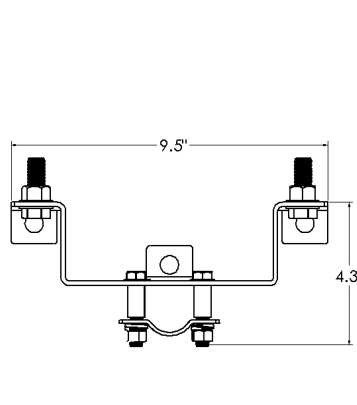
ID	Part No.	Description	ID	Part No.	Description
1	314-0021	Mounting Bracket	16	314-0008	Handle Bolt (Stainless Steel)
2	314-0022	Pipe Bracket	17	314-0009	Nylon Hex Nut (Stainless Steel)
3	314-0023	Stand Off	18	314-7001	Adjustable Connector Nut (Zinc)
4	314-0025	3/8" Lock Washer	19	314-7002	Upper Rod (Stainless Steel)
5	324-1006	3/8" Flat Washer	20	310-7005	Valve Stem Cap (Brass)
6	314-0024	3/8" Shoulder Bolt	21	336-0008	Packing (EPDM)
7	314-0027	3/8" Nut	22	324-1003	Washer (Stainless Steel)
8	314-0029	1/2" Flat Washer	23	310-7003	Seal Adapter (Brass)
9	314-0028	1/2" Bolt	24	336-0001	O-Ring (EPDM)
10	314-0030	1/2" Hex Nut	25	310-7001	Seal Sleeve (Brass)
11	301-7003	Handle (Cast Iron)	26	399-7001	Stopper (EPDM over Brass)
12	301-7001	Hydrant Head (Cast Iron)	27	324-0004	Spring Pin, Quantity 2 Required (Stainless Steel)
13	300-7001	Seat (Cast Brass)	28	310-7006	Hose Piece, 3/4" Hose Thread (Brass)
14	315-0001	Thumb Screw (Zinc Plated Steel)	29	399-0001	Check Valve (Plastic, Rubber, Stainless Steel)
15	304-7001	Draw Straps, Quantity 2 Required (Zinc Plated Steel)		P-260KT-802	Stopper Repair Kit, Contains: 24, 26, 27

Rough-In Dimensions Specs

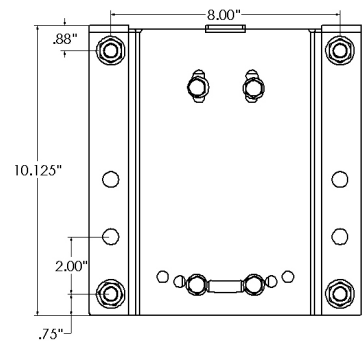
Side Hydrant View



Bottom Bracket View



Front Bracket View



Furnish and install Model P-RH2 commercial Post Mount Roof Hydrant manufactured by PRIER Products, Inc. Hydrant shall be installed through a 1 3/4" single penetration in the roof and mounted to the interior structure with the Universal Roof Hydrant Mounting Bracket (P-RMB) provided. This bracket must be manufactured of heavy gauge powder coated steel and must allow for adjustment to meet roof angles up to 4/12. The mounting bracket shall be mounted to concrete, a roofing truss, steel I-beam or interior wall with standard construction materials (all-thread, Unistrut or other). The hydrant shall have automatic draining capabilities with integral vacuum breaker/backflow preventer. Hydrant shall be cast iron with freezeless water flow and self draining functions, one piece valve plunger and a triple-seal shut off mechanism. The hydrant shall have a 3/4" inlet and a 1/8" NPT drainage port to be connected to the drain waste line inside the structure. The roof penetration is to be sealed by the roofing contractor in accordance with the roofing codes and conditions in their municipality.