



4515 East 139th Street
 Grandview, MO 64030
 800-362-9055
 Fax 800-362-1463
 www.PRIER.com

P-RH3 Mild Climate Roof Hydrant

Application

with P-004 Vacuum Breaker and Dual Backflow Preventer



close-up view



- **Commercial/Industrial**
- **Anti-siphon**
- **Wheel handle operated**



Prier's P-RH3 Mild Climate Roof Hydrant provides a year round source of water to roof surfaces in mild climate areas. The hydrant consists of a commercial sill faucet mounted onto a post for easy access.

The Roof Mounting Bracket enables the hydrant to be mounted to any structural member with rigid support, instead of to the skin of the building like competitive products. This bracket requires only a single penetration point of 1 3/4", and can be mounted to concrete, wood, steel, I-beams, truss, perlins or other structures with standard construction materials (Unistrut, all-thread, etc.).

Features

- ASSE 1052 approved vacuum breaker and backflow preventer
- Single hole penetration of 1 3/4"
- Single person installation with standard tools
- Commercial sill faucet on post for easy access
- Valve has integral vacuum breaker and back flow preventer
- Convertible to vandal proof loose key
- Designed to be installed with standard construction materials (Unistrut, all-thread, etc.)
- Repair can be easily accomplished at roof level
- 3/4" Garden hose threads standard
- Heavy pattern brass construction with a satin nickel finish
- Heavy duty galvanized pipe provides stability and is easily mounted to the roof mounting bracket
- Bracket mounts to any roof structure (truss, I-beam, concrete roof, etc.)
- Adjustable bracket to accommodate roof angles up to 4/12.

Ordering

P-RH3



Hydrant Type

H1- Flush Mount Roof Hydrant

H2- Post Mount Roof Hydrant

H3- Mild Climate Roof Hydrant

MB- Roof Hydrant Mounting Bracket Only

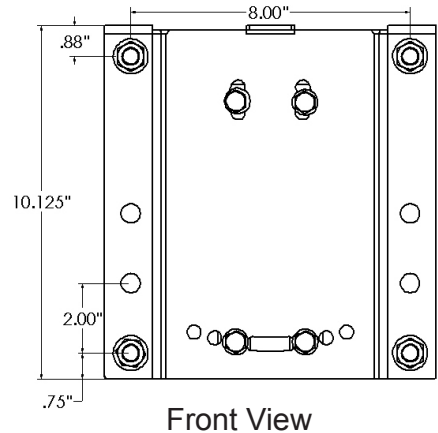
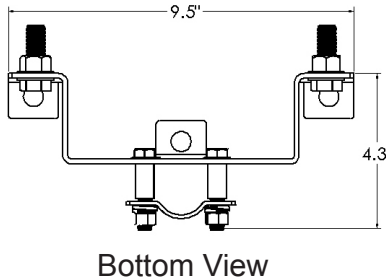
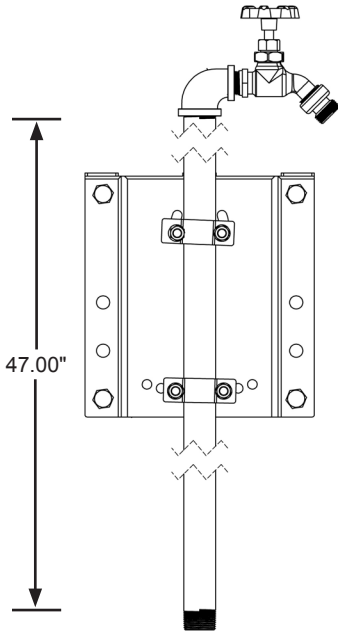




4515 East 139th Street
 Grandview, MO 64030
 800-362-9055
 Fax 800-362-1463

P-RH3

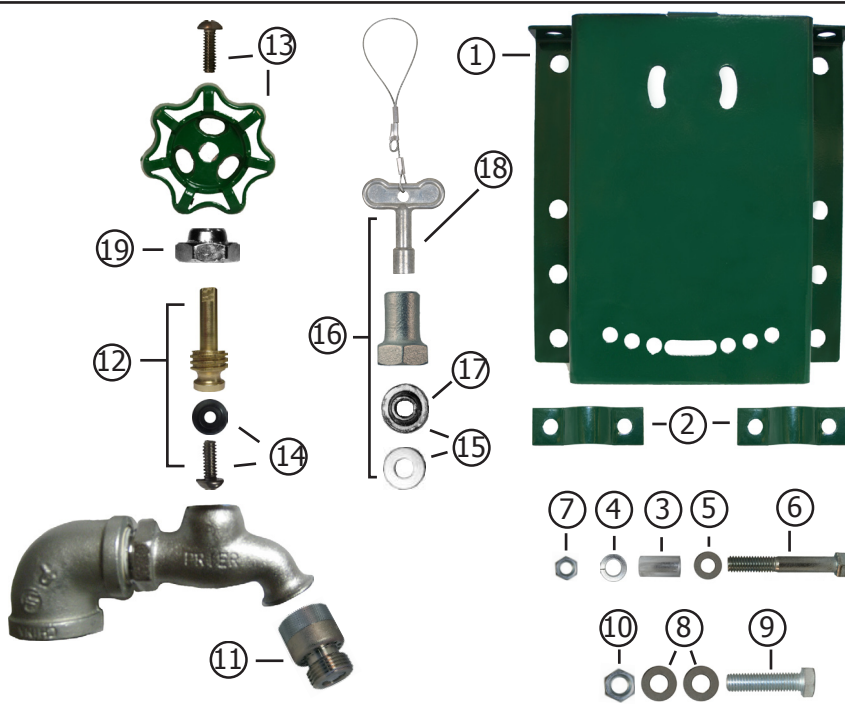
Bracket Only



Rough-In Dimensions

Furnish and install Model P-RH3 commercial Post Mount Roof Hydrant manufactured by Prier Products, Inc. Hydrant shall be installed through a 1 3/4" single penetration in the roof and mounted to the interior structure with the Universal Roof Hydrant Mounting Bracket (P-RMB) provided. This bracket must be manufactured of heavy gauge powder coated steel and must allow for adjustment to meet roof angles up to 4/12. The mounting bracket shall be mounted to concrete, a roofing truss, steel I-beam or interior wall with standard construction materials (all-thread, Unistrut or other). The hydrant shall have an integral vacuum breaker/backflow preventer and be approved under the ASSE 1052 standard. The hydrant shall have a 3/4" inlet and be made of brass with a satin nickel or chrome plated finish. The roof penetration is to be sealed by the roofing contractor in accordance with the roofing codes and conditions in their municipality.

Specifications



ID	Part No.	Description-Materials
1	314-0021	Mounting Bracket
2	314-0022	Pipe Bracket
3	314-0023	Stand Off
4	314-0025	3/8" Lock Washer
5	314-0026	3/8" Flat Washer
6	314-0024	3/8" Shoulder Bolt
7	314-0027	3/8" Nut
8	314-0029	1/2" Flat Washer
9	314-0028	1/2" Bolt
10	314-0030	1/2" Hex Nut
11	P-004CP	Vacuum Breaker Kit
12	231-0001	Stem Assembly
13	C-134KT-805	Handle & Screw Kit
14	C-135KT-802	Seat Washer Kit 1/4" L Bev.
15	C-134KT-803	Stem Packing Kit
16	C-134KT-804	Loose Key Conversion Kit
17	390-1001	Stem Packing Only
18	C-108KT-808	Loose Key on Lanyard
19	310-1012	Valve Stem Cap

Parts