



13907 Century Lane  
 Grandview, MO 64030  
 800-362-9055  
 Fax 800-362-1463

## C-635 Heavy Commercial Close Coupled Wall Hydrant

Application



- Commercial
- Industrial
- Freezeless
- Anti-Siphon
- Backflow Check Valve
- ASSE / IAPMO Listed

The Prier C-635 Heavy Commercial Wall Hydrant provides a source of water in mild temperature climates and climate controlled areas of structures. Since the shutoff point is approximately 3" into the structure the C-635 is ideal for climates not subject to heavy freezing temperatures.

The patented integral vacuum breaker/backflow preventor provides protection against cross-connection with the potable water system, while venting to eliminate any vacuum. A removable operating key is provided to prevent unauthorized usage of the hydrant. No special installation tools are required.

The C-635 Commercial Hydrant is available with or without a hydrant box.

Features

- Heavy Pattern standard hydrant for use with or without Polished Brass or Nickel Bronze Box
- Natural brass finish
- Simple, solderless design for years of reliable operation
- Vacuum Breaker / Backflow Preventor approved under ASSE 1011 and CSA B64.2
- Vacuum Breaker operates at lower differential and features self cleaning design to prevent clogging
- Multiple vent holes ensure proper draining and reduce problems associated with insect nesting
- 3/4" Female Thread x 1" Male Thread Inlet
- Low profile face eliminates custom brick cutting
- IAPMO listed

Ordering

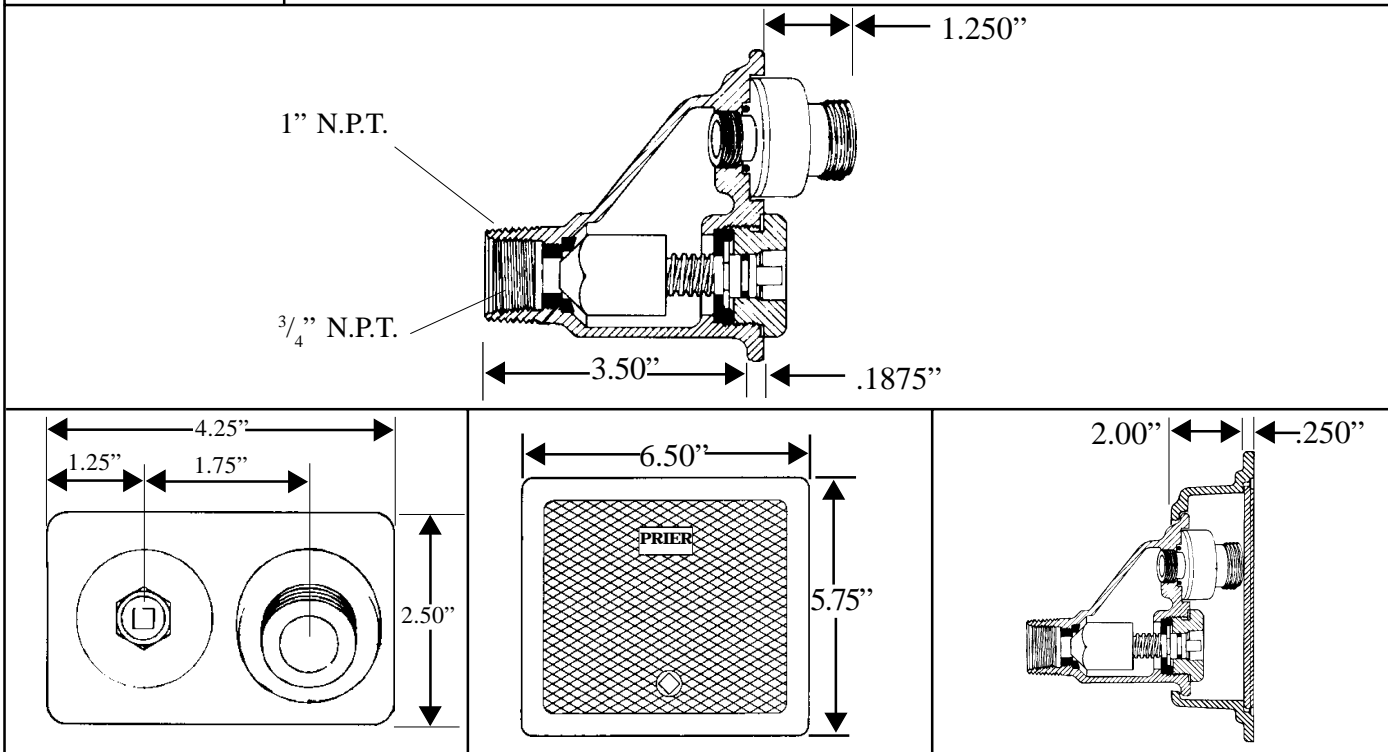
Part No.	Description	Carton Qty	Carton Wt.
C-635BR.75	Heavy Pattern Close Coupled Wall Hydrant	12	36 Lbs
C-634BX1	Nickel Plated Wall Hydrant Box	Ea	5 Lbs
C-634BX2	Polished Brass Wall Hydrant	Ea	5 Lbs



13907 Century Lane  
 Grandview, MO 64030  
 800-362-9055  
 Fax 800-362-1463

**C-635**

Rough-In Dimensions



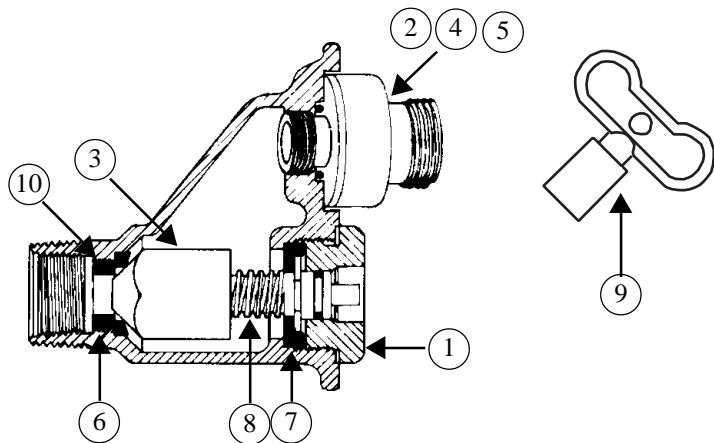
Specifications

Furnish and install Freezeless Model C-635 Commercial Keyless Wall Hydrant by Prier Products, Inc. Hydrant shall have patented integral vacuum breaker/backflow preventor. Hydrant shall be brass with threaded connections. Hydrant shall have 3/4" hose connection with natural brass finish. Hydrant shall be approved under ASSE standards. Operating key to be furnished with each hydrant.

*Optional:*

Furnish and install water box for each hydrant. Hydrant box shall be manufactured of solid cast brass with a Polished Brass / Polished Nickel Bronze (Choose one) finish. Hydrant box must open from bottom to top and have open latching capabilities. Access to the water box shall be provided by the same operating key as the Hydrant.

Parts & Materials



ID	Part No.	Description-Materials
1	310-4009	Face Nut-Brass
2	310-6008	Hose Piece-Brass
3	310-6012	Drive Sleeve-Brass
4	340-6006	Diverter Diaphragm-Silicone
5	340-6007	Diverter Check Spider Acetal
6	391-2018	Seat-Nylon
7	391-4008	Retainer Seal-Nylon
8	392-4005	Drive Screw Assy-Brass
9	C-235-007	Operating Key-Aluminum
10	C-635KT-802	Seat Washer Kit, Buna & Stainless Steel