



PRIER Products, Inc.  
4515 E 139th St.  
Grandview, MO 64030  
800-362-9055 Fax: 800-362-1463  
www.PRIER.com

## Installation, Operation & Maintenance Instructions for the PRIER C-734/754 Heavy Commercial Mixing Hydrant

**\*Please leave this sheet for the property owner\***

Thank you for purchasing the PRIER C-734/754 Heavy Commercial Wall Hydrant, the finest quality commercial hydrant available. Your C-734/754 will provide you years of dependable service with little or no maintenance.

### **Installation:**

The C-734/754 wall hydrant is available with the following inlet options:

**N** 1" MIP x 3/4" FIP

1. Determine the location for the installation of the hydrant. Ensure there is adequate work room in the interior of the structure for securing the hydrant to the plumbing piping.
2. \*For installation without the box, bore 2) 1 13/16" diameter holes through the wall separated 3 1/2" center to center.
3. \*For installation with the box, a rectangular hole measuring 6 1/2" by 8 1/4" is required.
4. A check valve (not included on C-734) needs to be installed on the cold side of the hydrant to prevent thermal migration.
5. Flush all foreign particles from the water line before connecting the hydrant. Foreign particles may clog the vacuum breaker/backflow preventer causing it to fail.
6. Insert the hydrant (and box, if applicable) through the previously bored hole(s) and secure the hydrant to the inside of the wall with the provided wall clamping ring.
7. Connect the water supply piping to the hydrant as desired. With a closed-end hose on the valve creating back pressure, test the installation for leakage.

### **Operation:**

Operation of the C-734/754 Commercial Mixing Hydrant is a simple process. Water flows through the hydrant after turning the loose key one half turn. The hydrant will achieve maximum flow at 4 1/2 full turns. Turn off the hydrant by turning the loose key clockwise to the "off" position.

After shutoff, the hydrant will drain for a few moments from behind the packing nut. If the dripping persists after a few moments, tighten the key slightly. Be careful not to overtighten the hydrant. If the water drains for more than 1 minute, the stopper may need to be replaced. Do not overturn when opening or closing the hydrant.

**\*ALWAYS REMOVE HOSE DURING FREEZING TEMPERATURES\***

**\*INTENDED FOR IRRIGATION USE AND OUTDOOR WATERING\***

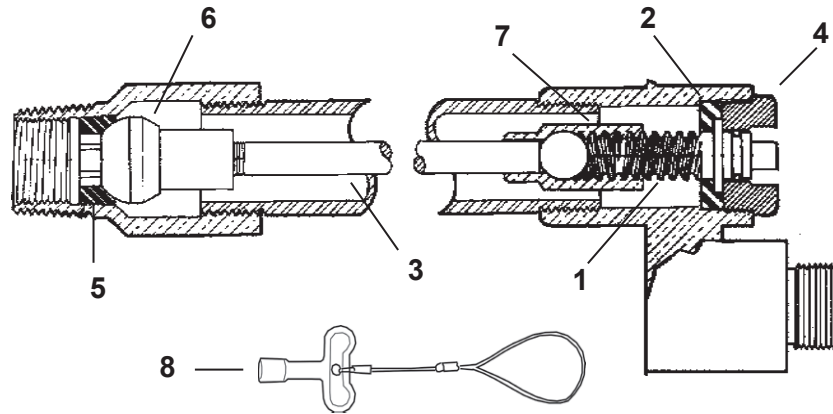
### **Maintenance:**

The C-734/754 Heavy Commercial Wall Hydrant leaves the factory fully air tested and operational. It is treated with an FDA approved lubrication. The hydrant requires no scheduled maintenance to provide long life.



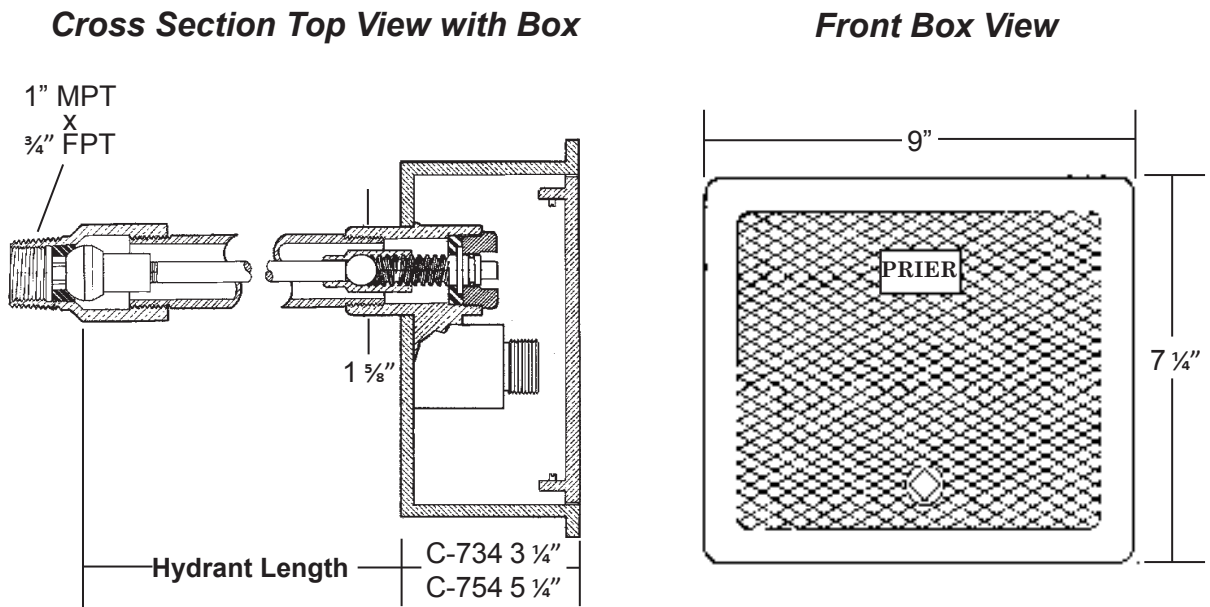
4515 East 139th Street  
 Grandview, MO 64030  
 (800) 362-9055  
 Fax (800) 362-1463  
 www.PRIER.com

Replacement Parts & Stems



ID	Part No.	Description
1	392-4005	Drive Screw Assembly (Brass)
2	391-4008	Retainer Seal (Nylon)
3	Call PRIER	Operating Rod (Brass)
4	310-4009	Face Nut (Brass)
5	391-2018	Seat (Nylon)
6	392-2020	Plunger (Butyl with Brass Insert)
7	310-4003	Worm Sleeve (Brass)
8	C-108KT-808	Loose Key on Lanyard (Die Cast Aluminum)

Rough-In Dimensions



Specs

Furnish and install Freezeless Model C-734 (or C-754 with Anti-Siphon Vacuum Breaker and Backflow Check Valve) Commercial Hot & Cold Mixing Hydrant by PRIER. Hydrant shaft shall be brass with threaded and sealed connections. Hydrant shall have 3/4" hose connection with freezeless water flow and self-draining functions with brass operating rod. Hydrant shall be approved under ASSE standards. Two operating keys to be furnished with each hydrant. Hydrant insertion length to be \* inches.

Optional: Furnish and install water box for each hydrant. Hydrant box shall be manufactured of solid cast brass with a polished brass or polished nickel bronze finish. Access to the water box shall be provided by the same operating key as the freezeless hydrant. \*4" to 24" in 2" increments.