



Installation, Operation & Maintenance Instructions for the PRIER P-RH Heavy Commercial Roof Hydrants and Bracket

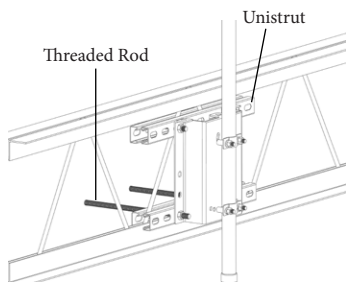
Please leave this sheet for the property owner

The PRIER Heavy Commercial Roof Hydrants provide a wide variety of installation options suitable for all types of roofs and structures. The PRIER Universal Roof Hydrant Mounting Bracket (P-RMB) attaches to a structural member of the building, not simply the skin of the building, to provide a stronger, safer installation. Additionally, if the hydrant is installed through a small, single hole penetration in the roof, ensuring simple installation by a single tradesman and years of leak-free operation. The PRIER design is adjustable for all types of roofs up to 4/12 pitch.

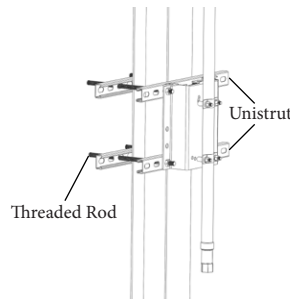
Depending on your installation, standard building materials may be required, including Unistrut, threaded rod and additional fasteners.

Typical Installations:

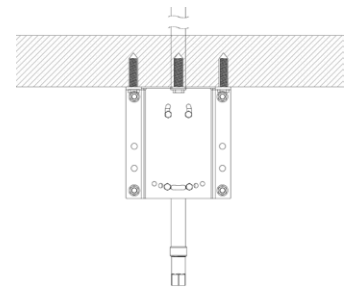
Truss (Purlin) Installation



I-Beam (Column) Installation



Concrete Roof Installation



Bracket Installation Instructions:

1. Select a location for the installation of your PRIER Roof Hydrant. A good location typically has close proximity to any rooftop equipment requiring water and is near structural members under the roof and can be properly drained to water supply and drain.
2. Determine the type of installation you will use to install the Universal Roof Hydrant Mounting Bracket (P-RMB) to the structure of the building. Typical installations are shown above. The P-RMB can be installed to any of the structural supports on the building. *Some of these installations may require additional Unistrut, all thread or fasteners.
3. If mounting to a concrete roof, assure that the tabs are in the "UP" position.
4. Mount the P-RMB to the desired structure.

Truss (Purlin) Installation Instructions:

1. For a truss installation, you will need to use Unistrut and fasteners that are not provided with the P-RMB.
2. Cut two sections of Unistrut that are approximately 24" in length, making sure the Unistrut is long enough to cover enough of the webbing to ensure a secure connection. Using fasteners, sandwich the truss between the two pieces of Unistrut until secure.
3. Mount the P-RMB to the Unistrut with the fasteners provided.

I-Beam (Column) Installation Instructions:

1. For a column I-beam installation, you will need to use Unistrut, threaded rod, washers and nuts that are not provided with the P-RMB.
2. Cut two sections of Unistrut that are approximately 18" in length. Using the threaded rod, sandwich the I-beam between the two pieces of Unistrut until secure.
3. Mount the P-RMB to the Unistrut with the fasteners provided.

Concrete Roof Installation Instructions:

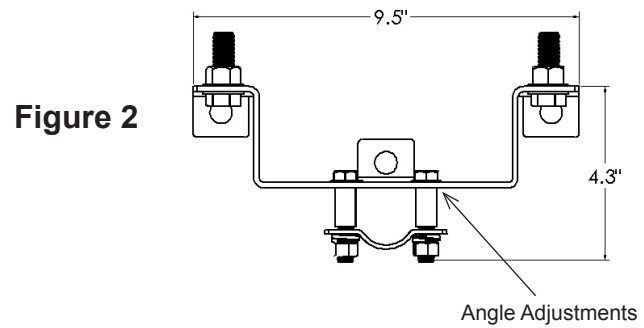
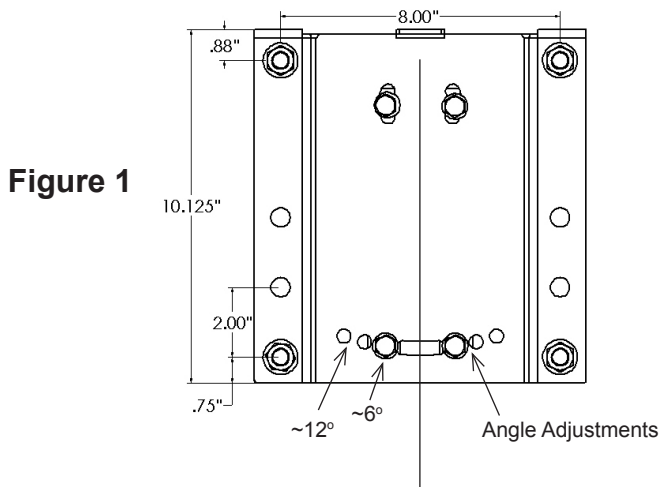
1. For a concrete roof, you will need 1/2" concrete wedge anchors, not provided with the P-RMB.
2. Using the top tabs on the P-RMB as a template, mark the concrete where the holes for the concrete wedge anchors should be drilled. Drill and install concrete wedge anchors per manufacturer instructions.
3. Mount the P-RMB to the wedge anchors installed in step two and torque to manufacturer requirements.

Hydrant Installation Instructions:

1. Drill a 1 3/4" hole in the roof directly above the pipe brackets on the P-RMB. If necessary, use a laser pointer or scrap pipe through the pipe brackets to assure the hole is drilled in the proper location.
2. Install the hydrant from the rooftop through the hole drilled in step one and down through the pipe brackets in the P-RMB. Each hydrant has a measuring tape sticker affixed to the hydrant to assist in installation. The measuring tape begins at "roof level". You will need to take into account any insulation, pitch boxes or gravel when determining the height of the hydrant.
3. Secure the hydrant into the P-RMB by tightening the bolts on the pipe bracket.
4. If using a freezeless hydrant, there is a 1/8" drain port that will need to be piped away to a drain.

Roof Pitch Options:

1. In some occasions, the roof hydrant may need to be angled to match the roof or equipment configuration. That has been accounted for in the P-RMB.
2. As shown in Figure 1, you can adjust the angle of the roof hydrant by changing the position of the pipe bracket. Upon completion, the hydrant should be perpendicular to the floor for proper operation.
3. As shown in Figure 2, you can adjust the angle of the roof hydrant in the other direction by stacking washers under the pipe support. Upon completion, the hydrant should be perpendicular to the floor for proper operation.



Roof Seal:

The roof penetration should be sealed by the roofing contractor with acceptable roofing construction methods. PRIER recommends either a poured in place pitch box or a leaded roof flashing, sealed by the roofing contractor, as they would for any other rooftop pipe penetrations.

Maintenance:

The PRIER Roof Hydrants require no scheduled maintenance and will provide years of reliable service.

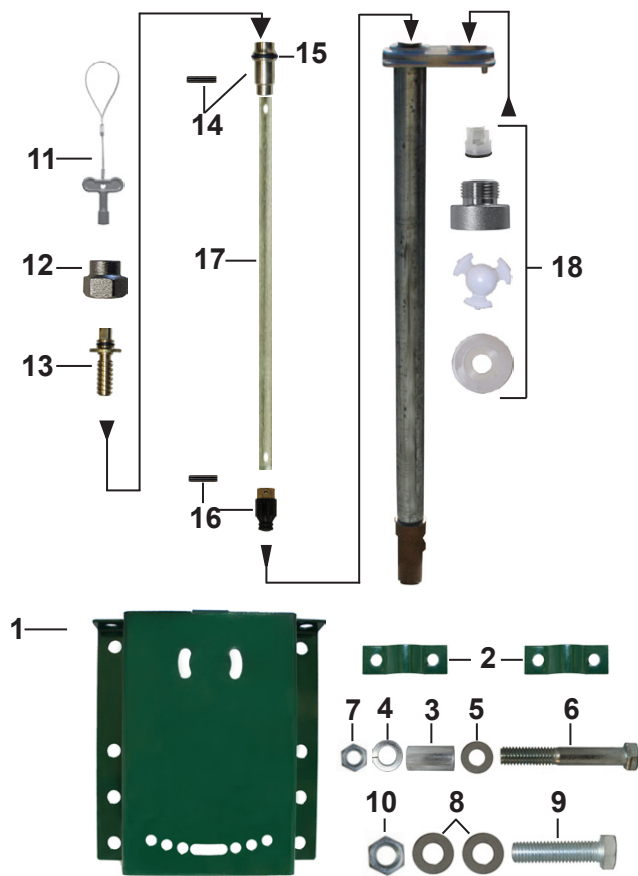
P-RH1, P-RH2 AND P-RH2 PARTS LISTED ON THE FOLLOWING PAGES.

P-RH1 Roof Hydrant



4515 East 139th Street
 Grandview, MO 64030
 (800) 362-9055
 Fax (800) 362-1463
 www.PRIER.com

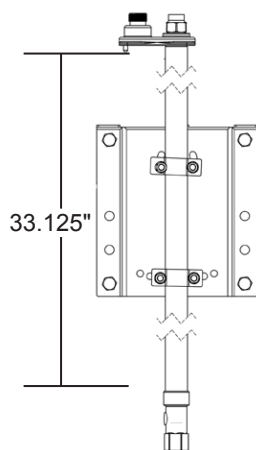
Replacement Parts



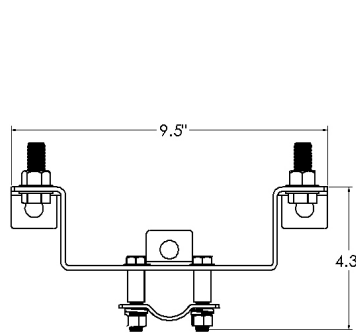
ID	Part No.	Description
1	314-0021	Mounting Bracket
2	314-0022	Pipe Bracket
3	314-0023	Stand Off
4	314-0025	3/8" Lock Washer
5	324-1006	3/8" Flat Washer
6	314-0024	3/8" Shoulder Bolt
7	314-0027	3/8" Nut
8	314-0029	1/2" Flat Washer
9	314-0028	1/2" Bolt
10	314-0030	1/2" Hex Nut
11	C-108KT-808	Loose Key on Lanyard
12	300-6003	Valve Stem Cap
13	C-634KT-809	Worm Drive Assembly
14	C-634KT-808	Worm Sleeve Assembly
15	336-0001	O-Ring for Worm Sleeve
	P-260KT-802	Stopper Assembly, Contains: 15, 16
17	Call PRIER	Stem Shaft
18	C-634KT-806	Vacuum Breaker Assembly
	231-0803	3' Stem Assembly, 37 1/8" OAL Contains: 14, 15, 16, 17

Rough-In Dimensions Specs

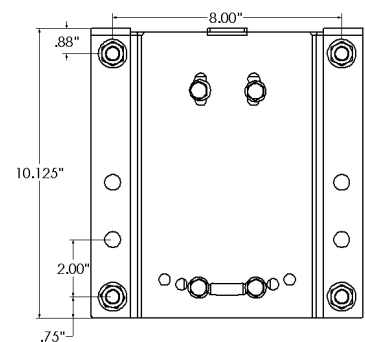
Side Hydrant View



Bottom Bracket View



Front Bracket View



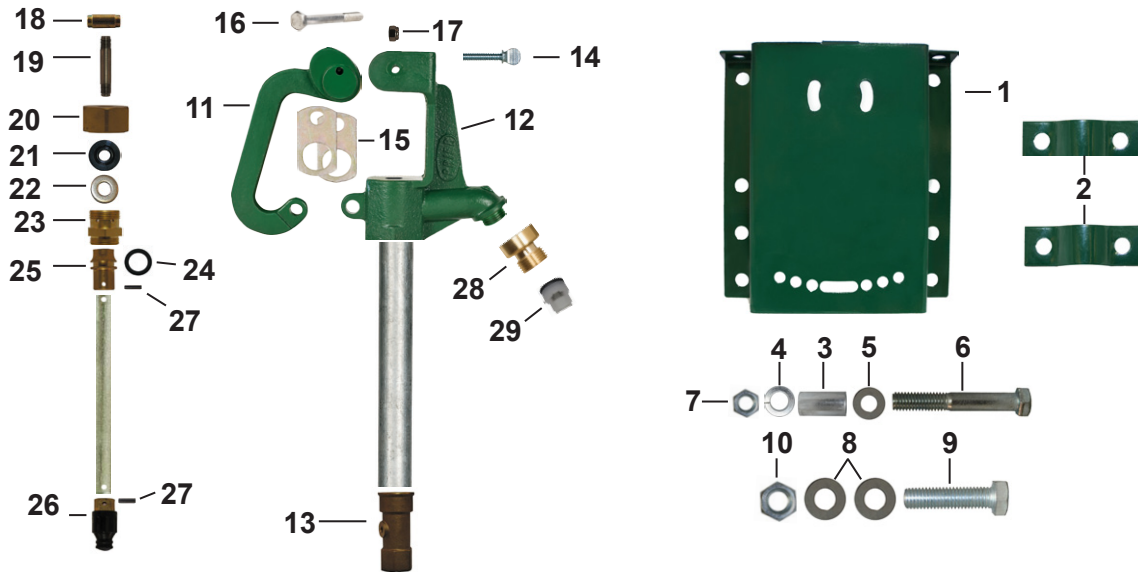
Furnish and install Model P-RH1 commercial key operated roof hydrant manufactured by PRIER Products, Inc. Hydrant shall be installed through a 1 3/4" single penetration in the roof and mounted to the interior structure with the Universal Roof Hydrant Mounting Bracket (P-RMB) provided. This bracket must be manufactured of heavy gauge powder coated steel and must allow for adjustment to meet roof angles up to 4/12. The mounting bracket shall be mounted to concrete, a roofing truss, steel I-beam or interior wall with standard construction materials (all-thread, Unistrut or other). The hydrant shall be flush mounted and have automatic draining capabilities with integral vacuum breaker/backflow preventer. Hydrant shall be brass with freezeless water flow and self draining functions, one piece valve plunger, satin nickel finish and a triple-seal shut off mechanism. Hydrant shall be capable of flowing a minimum of 15 gallons per minute at 25 PSI pressure change. The hydrant shall have a 3/4" inlet and a 1/8" NPT drainage port to be connected to the drain waste line inside the structure. Hydrant shall be approved under the ASSE 1052 standard. The roof penetration is to be sealed by the roofing contractor in accordance with the roofing codes and conditions in their municipality.

P-RH2 Roof Hydrant



4515 East 139th Street
 Grandview, MO 64030
 (800) 362-9055
 Fax (800) 362-1463
 www.PRIER.com

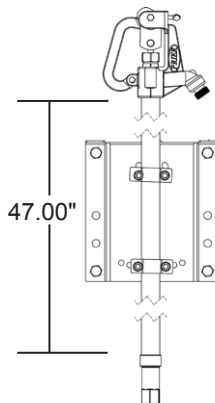
Replacement Parts



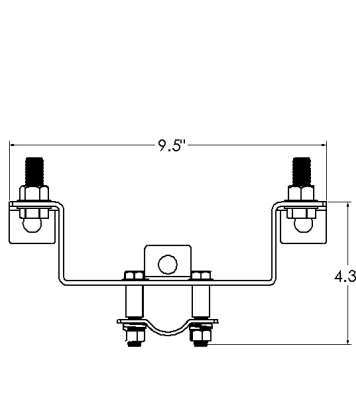
ID	Part No.	Description	ID	Part No.	Description
1	314-0021	Mounting Bracket	16	314-0008	Handle Bolt (Stainless Steel)
2	314-0022	Pipe Bracket	17	314-0009	Nylon Hex Nut (Stainless Steel)
3	314-0023	Stand Off	18	314-7001	Adjustable Connector Nut (Zinc)
4	314-0025	3/8" Lock Washer	19	314-7002	Upper Rod (Stainless Steel)
5	324-1006	3/8" Flat Washer	20	310-7005	Valve Stem Cap (Brass)
6	314-0024	3/8" Shoulder Bolt	21	336-0008	Packing (EPDM)
7	314-0027	3/8" Nut	22	324-1003	Washer (Stainless Steel)
8	314-0029	1/2" Flat Washer	23	310-7003	Seal Adapter (Brass)
9	314-0028	1/2" Bolt	24	336-0001	O-Ring (EPDM)
10	314-0030	1/2" Hex Nut	25	310-7001	Seal Sleeve (Brass)
11	301-7003	Handle (Cast Iron)	26	399-7001	Stopper (EPDM over Brass)
12	301-7001	Hydrant Head (Cast Iron)	27	324-0004	Spring Pin, Quantity 2 Required (Stainless Steel)
13	300-7001	Seat (Cast Brass)	28	310-7006	Hose Piece, 3/4" Hose Thread (Brass)
14	315-0001	Thumb Screw (Zinc Plated Steel)	29	399-0001	Check Valve (Plastic, Rubber, Stainless Steel)
15	304-7001	Draw Straps, Quantity 2 Required (Zinc Plated Steel)		P-260KT-802	Stopper Repair Kit, Contains: 24, 26, 27

Rough-In Dimensions Specs

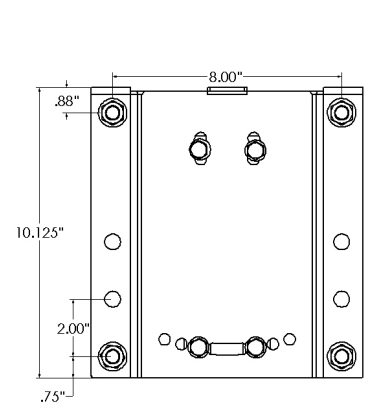
Side Hydrant View



Bottom Bracket View



Front Bracket View



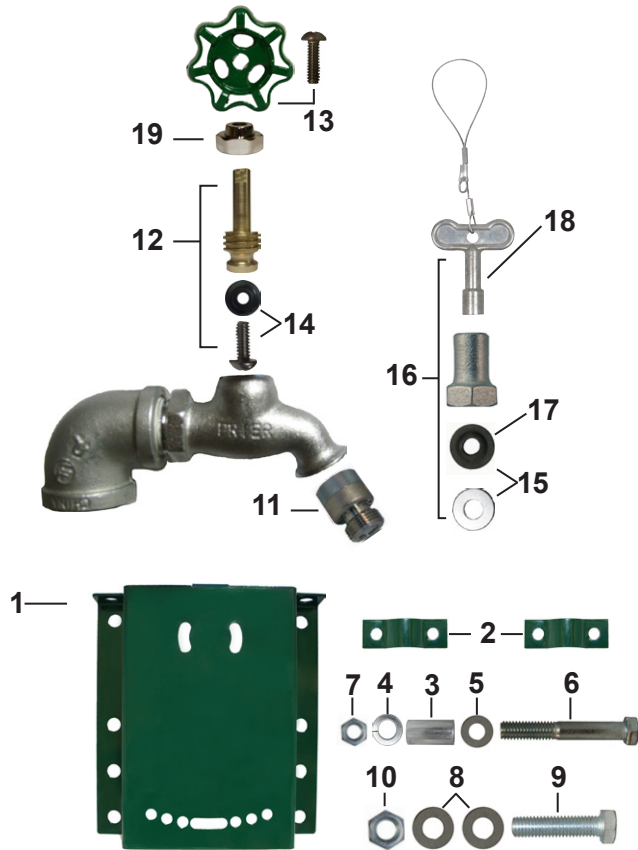
Furnish and install Model P-RH2 commercial Post Mount Roof Hydrant manufactured by PRIER Products, Inc. Hydrant shall be installed through a 1 1/4" single penetration in the roof and mounted to the interior structure with the Universal Roof Hydrant Mounting Bracket (P-RMB) provided. This bracket must be manufactured of heavy gauge powder coated steel and must allow for adjustment to meet roof angles up to 4/12. The mounting bracket shall be mounted to concrete, a roofing truss, steel I-beam or interior wall with standard construction materials (all-thread, Unistrut or other). The hydrant shall have automatic draining capabilities with integral vacuum breaker/backflow preventer. Hydrant shall be cast iron with freezeless water flow and self draining functions, one piece valve plunger and a triple-seal shut off mechanism. The hydrant shall have a 3/4" inlet and a 1/8" NPT drainage port to be connected to the drain waste line inside the structure. Hydrant shall be approved under the ASSE 1052 standard. The roof penetration is to be sealed by the roofing contractor in accordance with the roofing codes and conditions in their municipality.

P-RH3 Roof Hydrant



4515 East 139th Street
 Grandview, MO 64030
 (800) 362-9055
 Fax (800) 362-1463
 www.PRIER.com

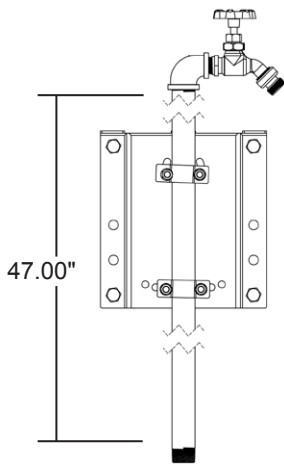
Replacement Parts & Stems



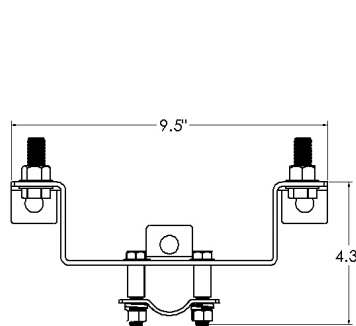
ID	Part No.	Description
1	314-0021	Mounting Bracket
2	314-0022	Pipe Bracket
3	314-0023	Stand Off
4	314-0025	3/8" Lock Washer
5	324-1006	3/8" Flat Washer
6	314-0024	3/8" Shoulder Bolt
7	314-0027	3/8" Nut
8	314-0029	1/2" Flat Washer
9	314-0028	1/2" Bolt
10	314-0030	1/2" Hex Nut
11	P-004CP	Vacuum Breaker Assembly
12	231-0001	Stem Assembly
13	C-134KT-805	Oval Handle and Screw Kit
14	C-135KT-802	Seat Washer Kit, 1/4" L Beveled
15	C-134KT-803	Stem Packing Kit
16	C-134KT-804	Loose Key Conversion Kit
17	390-1001	Stem Packing Only
18	C-108KT-808	Loose Key on Lanyard
19	310-1012	Valve Stem Cap

Rough-In Dimensions

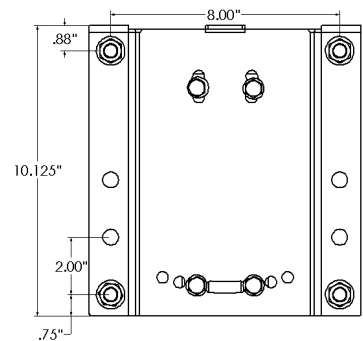
Side Hydrant View



Bottom Bracket View



Front Bracket View



Specs

Furnish and install Model P-RH3 Commercial Post Mount Roof Hydrant manufactured by PRIER Products, Inc. Hydrant shall be installed through a 1 3/4" single penetration in the roof and mounted to the interior structure with the Universal Roof Hydrant Mounting Bracket (P-RMB) provided. This bracket must be manufactured of heavy gauge powder coated steel and must allow for adjustment to meet roof angles up to 4/12. The mounting bracket shall be mounted to concrete, a roofing truss, steel I-beam or interior wall with standard construction materials (all-thread, Unistrut or other). The hydrant shall have an integral vacuum breaker/backflow preventer and be approved under the ASSE 1052 standard. The hydrant shall have a 3/4" inlet and be made of brass with a satin nickel chromium finish. The roof penetration is to be sealed by the roofing contractor in accordance with the roofing codes and conditions in their municipality.