

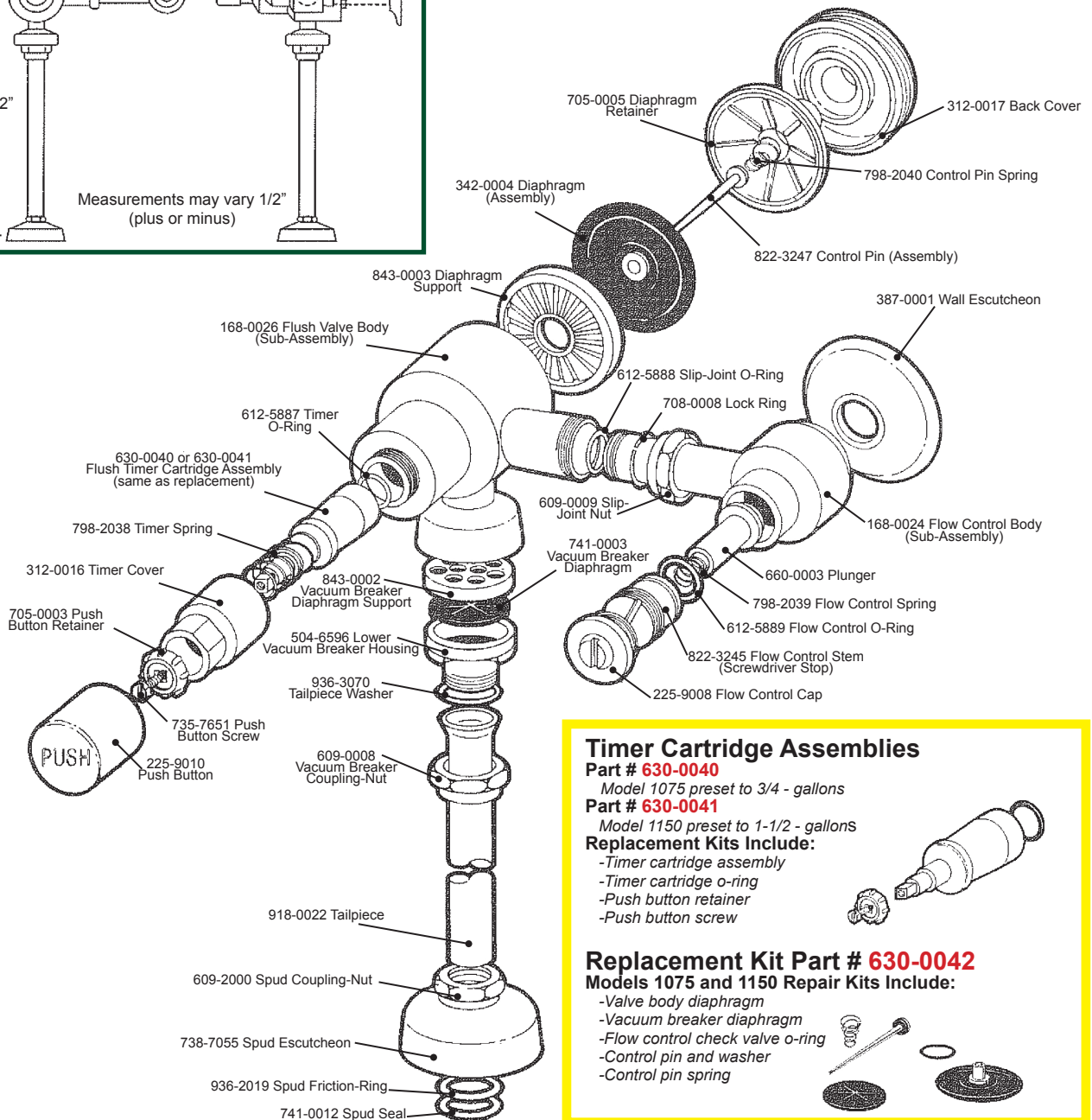
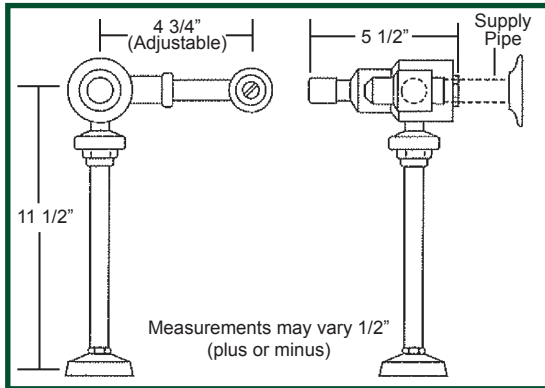
RETIRED
Manufactured by Mansfield



4515 East 139th Street
 Grandview, MO 64030
 (800) 362-9055
 Fax (800) 362-1463
 www.PRIER.com

Torpedo™ 1075/1150 Urinal Flushometer Valve

NOTICE: Only the parts highlighted in the yellow box below (Part # 630-0040, 630-0041, 630-0042) are available from PRIER. All other parts are unavailable.



Timer Cartridge Assemblies
Part # 630-0040
 Model 1075 preset to 3/4 - gallons
Part # 630-0041
 Model 1150 preset to 1-1/2 - gallons
Replacement Kits Include:
 -Timer cartridge assembly
 -Timer cartridge o-ring
 -Push button retainer
 -Push button screw

Replacement Kit Part # 630-0042
Models 1075 and 1150 Repair Kits Include:
 -Valve body diaphragm
 -Vacuum breaker diaphragm
 -Flow control check valve o-ring
 -Control pin and washer
 -Control pin spring