

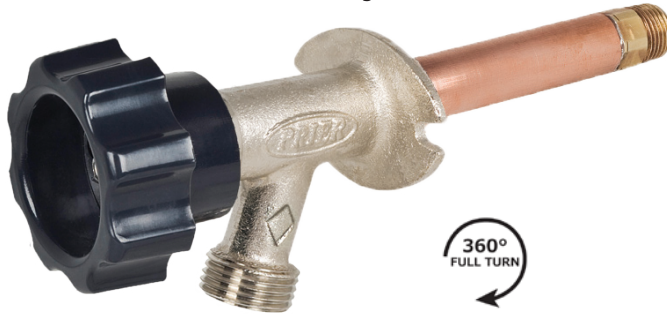


4515 East 139th Street
 Grandview, MO 64030
 (800) 362-9055
 Fax (800) 362-1463
 www.PRIER.com

300 Series Freezeless Wall Hydrant

Application

Mansfield Style M-300



- Residential
- Freezeless
- Solid Brass Body
- Easy Grip Handle



PRIER 300 Series provides a year round source of water to areas of structures that are subject to freezing temperatures. The hydrant valve is connected to the supply piping in the heated portion of the structure, eliminating the possibility of freezing.

The PRIER 300 Series is one of the original freezeless hydrant designs and is installed throughout the United States. It is available from stock in lengths from 4" to 14".

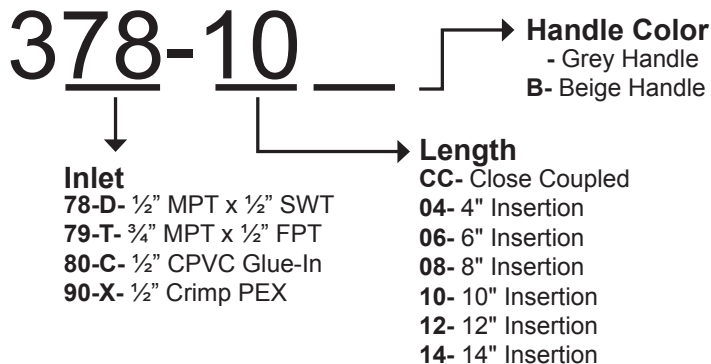
Features

- Integral cast backflange
- Wide screw holes easily secure mounting screws
- Solid brass body and seat
- Satin nickel plated body maintains attractive finish
- Stainless steel handle screw
- Easy grip polycarbonate operating handle
- Durable ACME threads secure stem at seat end
- AFG teflon with graphite packing for easy maintenance
- Spacer wedge
- Standard "OO" size seat washer
- Spout aligning mark
- Field repairable with no special tools
- Option of grey or beige handle

Inlet Styles



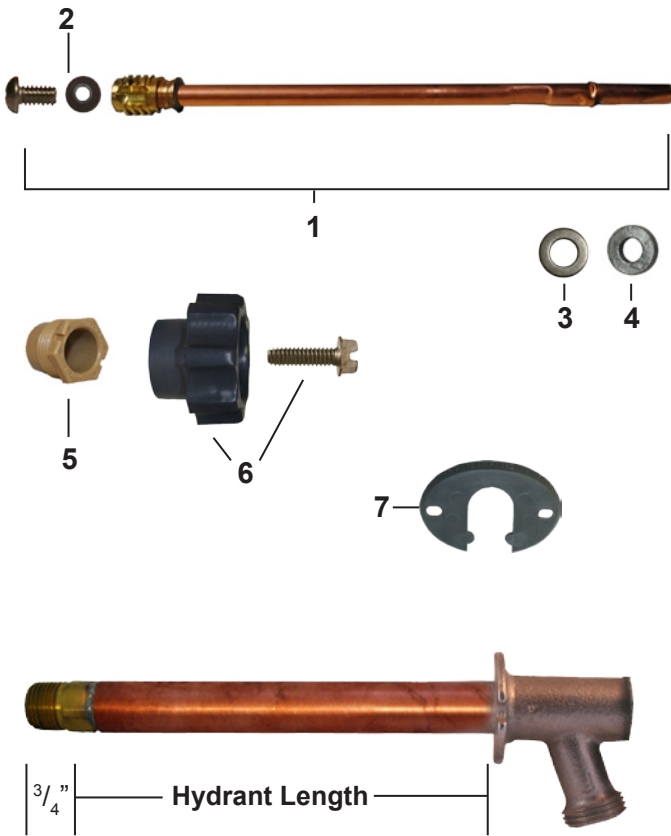
Ordering





4515 East 139th Street
Grandview, MO 64030
(800) 362-9055
Fax (800) 362-1463
www.PRIER.com

Replacement Parts



ID	Part No.	Description
1	See Below	Stem Assembly, Contains: 1, 2, 3, 4
2	C-134KT-802	Seat Washer Replacement Kit (00 Beveled)
3	324-1006	Washer (Stainless Steel)
4	339-3002	Packing for Left Hand Packing Nut (Graphite)
5	337-3001	Left Hand Thread Packing Nut (Plastic)
6	630-7965	Handle & Screw Kit (Grey Plastic Handle & Stainless Steel Screw)
	630-7975	Handle & Screw Kit (Beige Plastic Handle & Stainless Steel Screw)
7	337-3012	Space Wedge (Grey, Plastic)
	337-3013	Space Wedge (Beige, Plastic)
	630-7755	Service Kit for 300/400/500 Series Contains: 2, 3, 4, 5

*The 630-7755 Wall Hydrant Repair Kit includes parts for the 300, 400 and 500 Series hydrants, some of which are not pictured here. When repairing a hydrant you will have parts left over.

Replacement Stems



G Style Manufactured April 2013 - Present

Part No.	Style	Description	Stem Length
M-231-3104	G	Stem for 4" 300 Series Hydrant	6 ⁹ / ₁₆ " OAL
M-231-3106	G	Stem for 6" 300 Series Hydrant	8 ⁹ / ₁₆ " OAL
M-231-3108	G	Stem for 8" 300 Series Hydrant	10 ⁹ / ₁₆ " OAL
M-231-3110	G	Stem for 10" 300 Series Hydrant	12 ⁹ / ₁₆ " OAL
M-231-3112	G	Stem for 12" 300 Series Hydrant	14 ⁹ / ₁₆ " OAL
M-231-3114	G	Stem for 14" 300 Series Hydrant	16 ⁹ / ₁₆ " OAL

For the **old style 300 Series wall hydrant stems, see 300 Series retired style spec sheet at www.PRIER.com.