



4515 East 139th Street
 Grandview, MO 64030
 (800) 362-9055
 Fax (800) 362-1463
 www.PRIER.com

A-110 Series Cast Iron Shower Drain

Application

With P-315 Brass Strainer



- Cast Iron Body
- 4 1/2" Cast Brass Strainer
- Threaded Cast Iron Clamping Ring
- Available with 2" FPT or 2" Inside Caulk Inlet

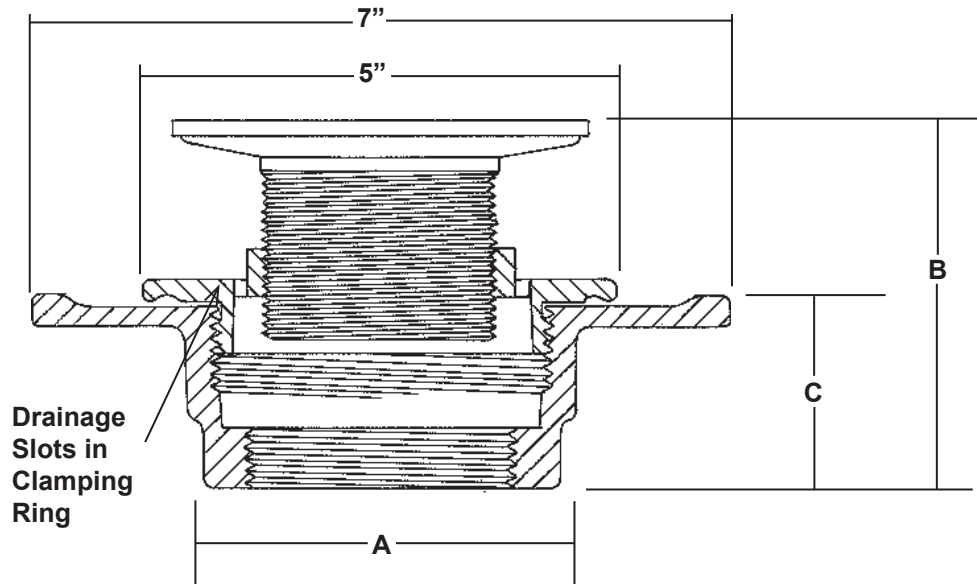
Ordering

A-110CL-012

↓
Inlet
 CL- 2" Caulk Type
 FE- 2" Female Pipe Thread

→ **Strainer**
 012- Chrome Plated Brass
 013- Polished Brass

Rough-In Dimensions



	2" FPT Inlet	2" Caulk Inlet
"A" Length	2 7/8"	3 5/8"
"B" Maximum Length	4 5/16"	4 1/2"
"B" Minimum Length	3"	3 3/16"
"C" Length	2"	2 3/16"