



4515 East 139th Street  
 Grandview, MO 64030  
 (800) 362-9055  
 Fax (800) 362-1463  
 www.PRIER.com

## B-110 Series Cast Iron Shower Drain

Application

With P-315 Brass Strainer



- Cast Iron Body
- 4 1/4" Cast Brass Strainer
- Threaded Cast Iron Clamping Ring
- Bolt-Down Cast Iron Clamping Ring

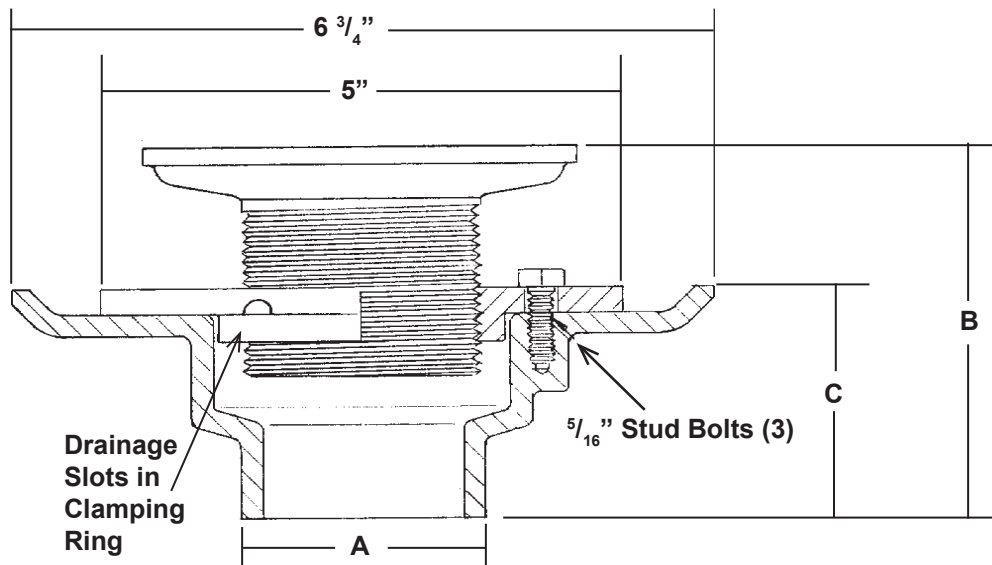
Ordering

### B-110CL-012

**Inlet**  
 CL- 2" Caulk Type  
 FE- 2" Female Pipe Thread  
 PL- 2" Plain End-No Hub

**Strainer**  
 012- Chrome Plated Brass  
 013- Polished Brass

Rough-In Dimensions



	2" FPT Inlet	2" Caulk Inlet	2" No Hub
"A" Length	3 1/4"	3 1/4"	2 5/16"
"B" Maximum Length	4 5/16"	4 1/2"	5 3/16"
"B" Minimum Length	3"	3 3/16"	4 1/16"
"C" Length	2"	2 3/16"	2 9/16"