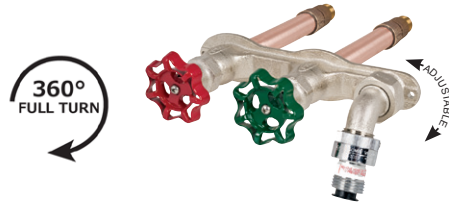


OLD STYLE
Manufactured 1972-April 2013

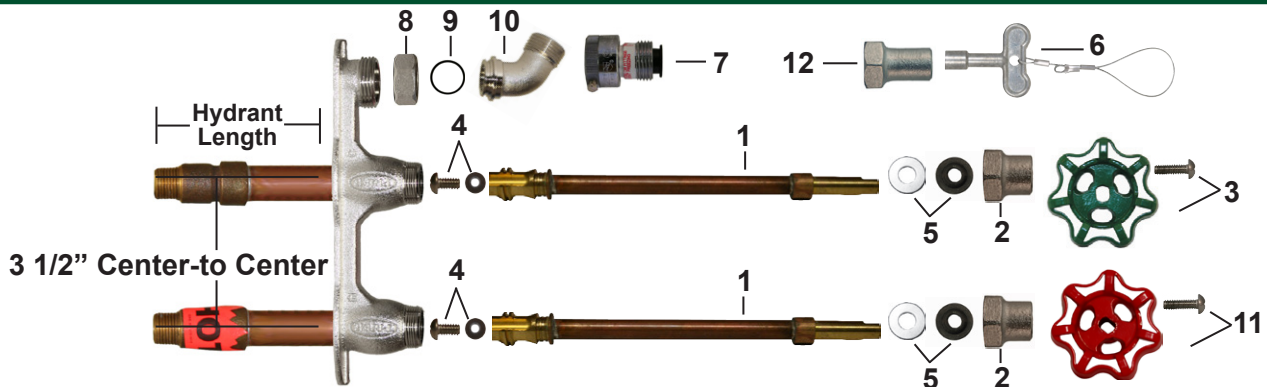


4515 East 139th Street
 Grandview, MO 64030
 (800) 362-9055
 Fax (800) 362-1463
 www.PRIER.com

C-108/208 Hot & Cold Wall Hydrant



- Freezeless
- Hot & Cold Mixing
- Anti-Siphon



ID	Part No.	Description	ID	Part No.	Description
1	See Below	Stem Assembly, Contains: 1, 4	8	300-0030	Hose Thread Nut
2	300-1008	Valve Stem Cap	9	336-0005	O-Ring for Hose Thread Adapter
3	C-134KT-805	Oval Handle and Screw Kit	10	300-0029	Hose Thread Adapter
4	C-134KT-802	Seat Washer Kit (00 Beveled)	11	C-108KT-805	Red Handle and Screw Kit
5	C-134KT-803	Stem Packing Kit	12	310-1015	Loose Key Valve Stem Cap
6	C-108KT-808	Loose Key on Lanyard		C-134KT-804	Loose Key Conversion Kit, Contains: 5, 6, 12
7	P-003CP	Replacement Vacuum Breaker			



E Style Manufactured 1972 - April 2013

Part No.	Style	Description	Stem Length
P-231-02CC	E	Close Coupled Stem for C-108 Hydrant	5 1/8" OAL
P-231-0204	E	Stem for 4" C-108 Hydrant	7 5/8" OAL
P-231-0206	E	Stem for 6" C-108 Hydrant	9 5/8" OAL
P-231-0208	E	Stem for 8" C-108 Hydrant	11 5/8" OAL
P-231-0210	E	Stem for 10" C-108 Hydrant	13 5/8" OAL
P-231-0212	E	Stem for 12" C-108 Hydrant	15 5/8" OAL
P-231-0214	E	Stem for 14" C-108 Hydrant	17 5/8" OAL
P-231-0216	E	Stem for 16" C-108 Hydrant	19 5/8" OAL
P-231-0218	E	Stem for 18" C-108 Hydrant	21 5/8" OAL
P-231-0220	E	Stem for 20" C-108 Hydrant	23 5/8" OAL
P-231-0222	E	Stem for 22" C-108 Hydrant	25 5/8" OAL
P-231-0224	E	Stem for 24" C-108 Hydrant	27 5/8" OAL
P-231-02US	E	*Universal Replacement Stem for C-108 Hydrant	Up to 16 5/8" OAL

PRIER Universal Stems are replacement stems for any size from Close Coupled to 14". They require cutting the rod to proper length and soldering the brass stem end to the rod as directed in instructions.

Replacement Parts and Stems