



4515 East 139th Street
 Grandview, MO 64030
 (800) 362-9055
 Fax (800) 362-1463
 www.PRIER.com

C-633 Mild Climate Commercial Wall Hydrant

Application

With Integral P-004 Vacuum Breaker



C-633NSV
360° Swivel Inlet



C-633NCC
Straight Pattern Inlet

- Commercial/Industrial
- Anti-Siphon
- Backflow Check Valve



The C-633 Series is a heavy duty wall hydrant designed for installation in mild climates. The C-633NSV has a versatile 360° swivel, while the C-633NCC has a straight brass pipe connection. Both models have inlets that will connect to either 3/4" MPT or 1" FPT pipe in tight spaces. These commercial wall hydrants are key operated, code approved, flow up to 19 GPM and have a box option that will allow for installation inside a 6" wall. The PRIER C-633 Mild Climate Wall Hydrants provide a year-round hose threaded source of water for structures. The C-633 has two options; one that includes a 360° swivel that allows a simple piping orientation inside a narrow wall. The other, is a close-coupled design for straight supply piping applications.

The ASSE 1052-approved integral vacuum breaker/backflow preventer provides protection against cross-connection with the potable water system, utilizing a check valve to prevent back pressure and a vacuum breaker to vent in the case of siphonage. A removable operating key is provided to prevent unauthorized usage of the hydrant.

Features

- High flow rate, 19 gallons per minute at 25 PSI differential
- Heavy patterned, high quality brass castings
- Self-draining, even with hose attached and under pressure
- Tested to 250,000 cycles; designed to last the life of the plumbing system
- EPDM stopper with "triple seal" positive shutoff system for drip-free shutoff
- Satin nickel plated body retains original finish for years
- Can be installed in horizontal or vertical position
- Self-cleaning spring less backflow check valve prevents water hammer and system noise
- Drainage ports are large enough to drain valve, and small enough to prevent insect nesting
- Listed and labeled to ASSE 1019-B or ASSE 1052, IAPMO/C-UPC

Ordering

Wall Hydrant Only C-633NCC

Inlet
 N- 1" MPT x 3/4" FPT
 P- 1" Male SWT x 3/4" Female SWT
 V- 3/4" ProPress Ready
 *P and V inlets only available with CC length

Length
 CC- Close Coupled
 SV- 360° Swivel



Optional Hydrant Box C-634BX1

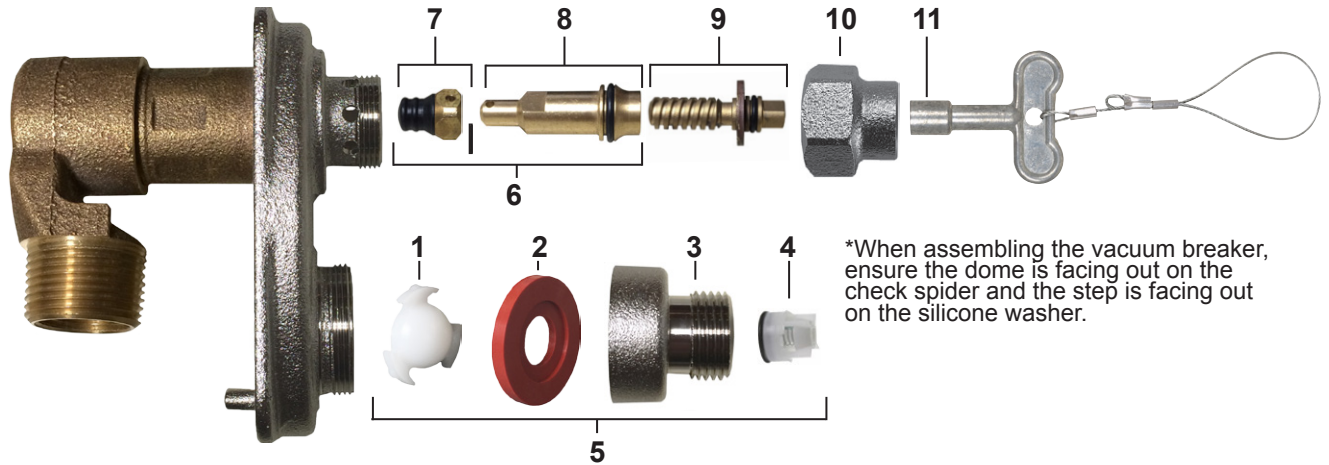
Box Finish
 1- Satin Nickel Plated
 2- Rough Brass





4515 East 139th Street
 Grandview, MO 64030
 (800) 362-9055
 Fax (800) 362-1463
 www.PRIER.com

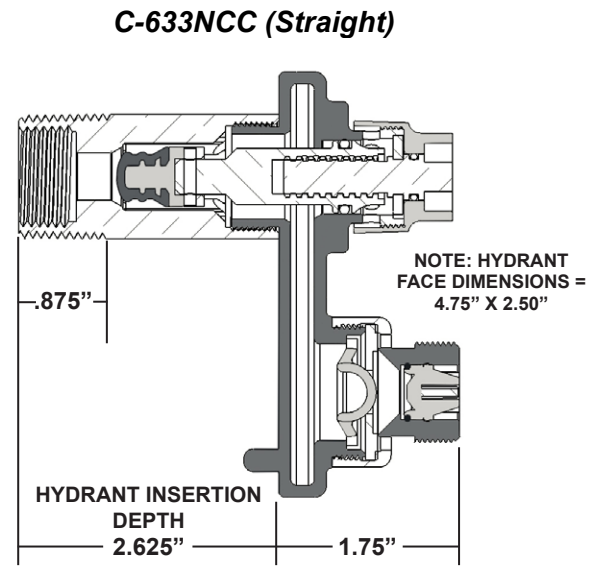
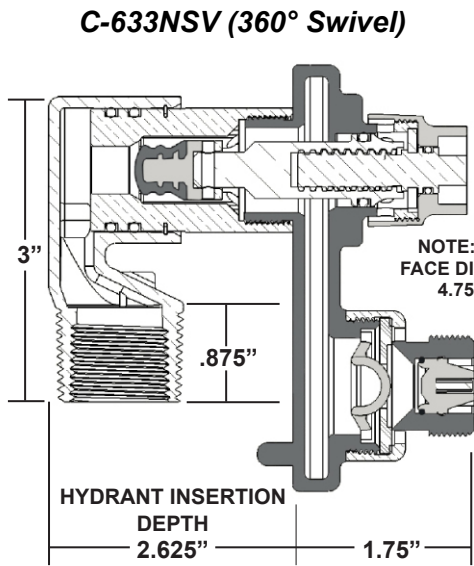
Replacement Parts & Stems



*When assembling the vacuum breaker, ensure the dome is facing out on the check spider and the step is facing out on the silicone washer.

ID	Part No.	Description	ID	Part No.	Description
1	337-6001	Check Spider-Vacuum Breaker	7	C-634KT-802	Stopper Kit, Includes Stopper and Pin
2	346-6001	Diaphragm-Vacuum Breaker	8	C-633KT-809	Worm Sleeve with O-Ring
3	300-6004	3/4" Hose Piece (NP Brass)	9	C-634KT-809	Worm Drive Assembly with O-Ring
	310-6009	1" Hose Piece (NP Brass)	10	300-6003	Valve Stem Cap (NP Brass)
4	399-0001	Secondary Check	11	C-108KT-808	Loose Key on Lanyard
5	C-634KT-806	Vacuum Breaker Assembly		C-633KT-807	C-633 Overhaul Kit, Contains: 5, 6, 9, 11
6	231-06CC	Stem Assembly			

Rough-In Dimensions



Specs

Furnish and install (choose C-633NSV Model or C-633NCC Model) commercial key operated wall hydrant manufactured by PRIER Products, Inc. Hydrant shall be surface mounted and shall have automatic draining capabilities with integral vacuum breaker/backflow preventer. Hydrant shall be capable of flowing a minimum of 15 gallons per minute at 25 PSI pressure change. Hydrant shaft shall be brass with threaded and sealed connections. Hydrant shall have (choose 3/4" or 1") hose connection with self draining functions, one piece valve plunger, satin nickel finish, brass operating rod with positive triple-seal shutoff mechanism. Hydrant shall be approved under ASSE 1019-B or ASSE 1052 (choose option) standards. Operating key with lanyard to be furnished with each hydrant. Hydrant insertion to be specified as C-633NCC (straight with 3/4" FPT x 1" MPT connections), C-633PCC (straight with 3/4" x 1" sweat connections), C-633VCC (straight with 3/4" press-ready connection) or C-633NSV (360° swivel with 3/4" FPT x 1" MPT connections).

Optional: Furnish and install hydrant box for each hydrant. Hydrant box shall be manufactured in solid cast brass with a (choose from natural brass or satin-nickel plated brass) finish. Access to the hydrant box shall be provided by (choose hydrant's key or cylinder lock and key).