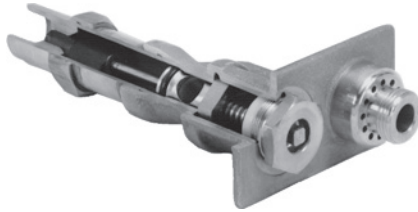


OLD STYLE
Manufactured until 2007



4515 East 139th Street
 Grandview, MO 64030
 (800) 362-9055
 Fax (800) 362-1463
 www.PRIER.com

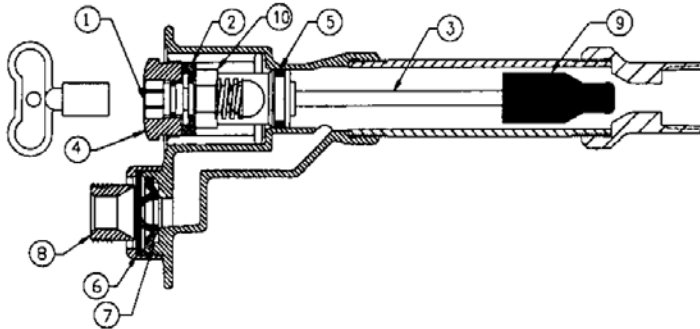
C-634 Heavy Commercial Wall Hydrant



- **Freezless**
- **Anti-Siphon**
- **Backflow Check Valve**



Replacement Parts and Stems



ID	Part No.	Description
1	392-4005	Drive Screw Assembly (Brass)
2	391-4008	Retainer Seal (Nylon)
3	Call PRIER	Operating Rod (Brass)
4	310-4009	Face Nut (Brass)
5	340-6005	O-Ring (EPDM)
6	340-6006	Diverter Diaphragm (Silicone)
7	340-6007	Diverter Check Spider (Acetal)
8	310-6008	Hose Piece (Brass)
9	395-6009	Plunger (Butyl, Brass Insert)
10	310-6010	Drive Sleeve (Brass)
11	C-235-007	Loose Key on Lanyard (Die Cast Aluminum)
	231-6011	Vacuum Breaker Assembly, Contains: 6, 7, 8
	C-634KT1	C-634 Repair Kit, Contains: 2, 5, 9
	C-634KT2	C-634 Repair Kit, Contains: 1, 2, 4, 5, 6, 7, 8, 9, 10

C-634-Old Style-C