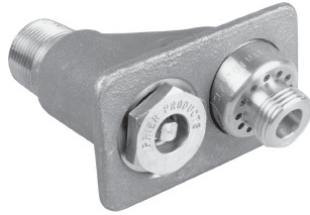


**RETIRED**



4515 East 139th Street  
Grandview, MO 64030  
(800) 362-9055  
Fax (800) 362-1463  
www.PRIER.com

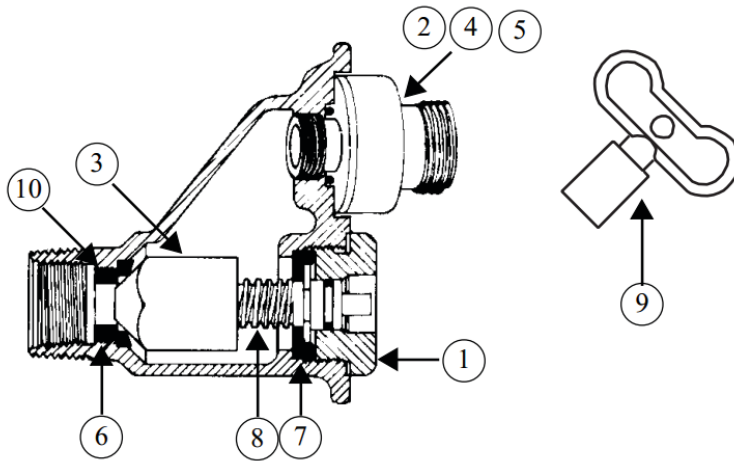
## C-635 Heavy Commercial Close Coupled Wall Hydrant



- Freezless
- Anti-Siphon
- Backflow Check Valve



Replacement Parts and Stems



ID	Part No.	Description
1	310-4009	Face Nut (Brass)
2	310-6008	Hose Piece (Brass)
3	310-6012	Drive Sleeve (Brass)
4	640-6006	Diverter Diaphragm (Silicone)
5	340-6007	Diverter Check Spider (Acetal)
6	391-2018	Seat (Nylon)
7	391-4008	Retainer Seal (Nylon)
8	392-4005	Drive Screw Assembly (Brass)
9	C-235-007	Loose Key (Aluminum)
10	C-635KT-802	Seat Washer Kit (Buna and Stainless Steel)