



4515 East 139th Street
 Grandview, MO 64030
 (800) 362-9055
 Fax (800) 362-1463
 www.PRIER.com

P-RH3 Mild Climate Roof Hydrant

Application

With Integral P-004 Vacuum Breaker and Dual Backflow Preventor



close-up view



- Commercial/Industrial
- Anti-Siphon
- Wheel Handle Operated



PRIER's P-RH3 Mild Climate Roof Hydrant provides a year round source of water to roof surfaces in mild climate areas. The hydrant consists of a commercial sill faucet mounted onto a post for easy access. The hydrant valve is connected to the supply piping in the heated portion of the structure. This valve has a built in vacuum breaker that meets ASSE 1052.

The Roof Mounting Bracket enables the hydrant to be mounted to any structural member with rigid support, instead of to the skin of the building like competitive products.

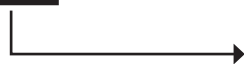
This bracket requires only a single penetration point of 1 3/4", and can be mounted to concrete, wood, steel, I-beams, truss, perlin or other structures with standard construction materials (Unistrut, all-thread, etc.).

Features

- Mounts to any roof structural member (truss, I-beam, concrete roof, etc.)
- Single hole penetration of 1 3/4"
- Single person installation with standard tools
- ASSE 1052 approved vacuum breaker and backflow preventer
- Commercial sill faucet on post for easy access
- Valve has integral vacuum breaker and back flow preventer
- Convertible to vandal proof loose key
- Designed to be installed with standard construction materials (Unistrut, all-thread, etc.)
- Repair can be easily accomplished at roof level
- 3/4" garden hose threads standard
- Heavy duty brass construction with a satin nickel finish
- Heavy duty galvanized pipe provides stability and is easily mounted to the roof mounting bracket
- Adjustable bracket to accommodate roof angles up to 4/12

Ordering

P-RH3



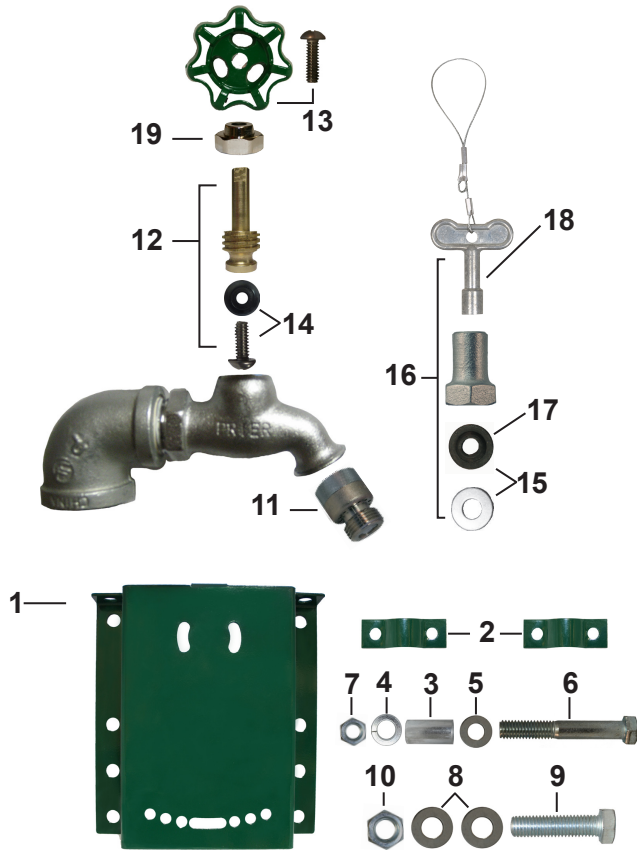
- Length**
- H1- Flush Mount Roof Hydrant
 - H2- Post Mount Roof Hydrant
 - H3- Mild Climate Roof Hydrant
 - MB- Roof Hydrant Mounting Bracket





4515 East 139th Street
 Grandview, MO 64030
 (800) 362-9055
 Fax (800) 362-1463
 www.PRIER.com

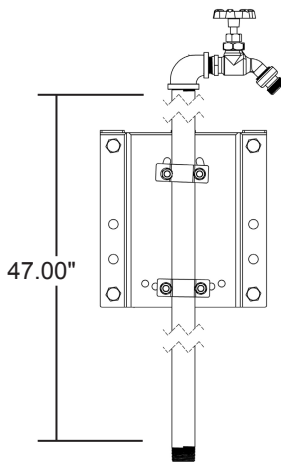
Replacement Parts & Stems



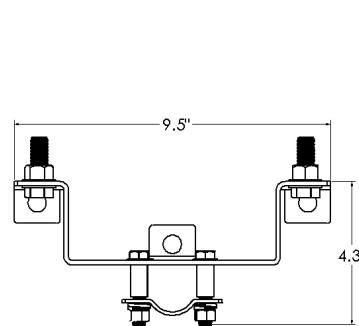
ID	Part No.	Description
1	314-0021	Mounting Bracket
2	314-0022	Pipe Bracket
3	314-0023	Stand Off
4	314-0025	3/8" Lock Washer
5	324-1006	3/8" Flat Washer
6	314-0024	3/8" Shoulder Bolt
7	314-0027	3/8" Nut
8	314-0029	1/2" Flat Washer
9	314-0028	1/2" Bolt
10	314-0030	1/2" Hex Nut
11	P-004CP	Vacuum Breaker Assembly
12	231-0001	Stem Assembly
13	C-134KT-805	Oval Handle and Screw Kit
14	C-135KT-802	Seat Washer Kit, 1/4" L Beveled
15	C-134KT-803	Stem Packing Kit
16	C-134KT-804	Loose Key Conversion Kit
17	390-1001	Stem Packing Only
18	C-108KT-808	Loose Key on Lanyard
19	310-1012	Valve Stem Cap

Rough-In Dimensions

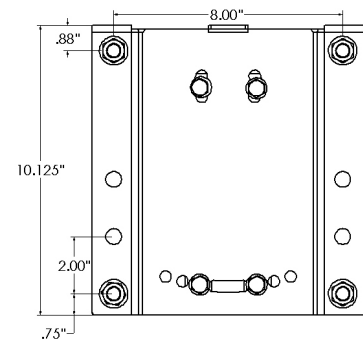
Side Hydrant View



Bottom Bracket View



Front Bracket View



Specs

Furnish and install Model P-RH3 Commercial Post Mount Roof Hydrant manufactured by PRIER Products, Inc. Hydrant shall be installed through a 1 3/4" single penetration in the roof and mounted to the interior structure with the Universal Roof Hydrant Mounting Bracket (P-RMB) provided. This bracket must be manufactured of heavy gauge powder coated steel and must allow for adjustment to meet roof angles up to 4/12. The mounting bracket shall be mounted to concrete, a roofing truss, steel I-beam or interior wall with standard construction materials (all-thread, Unistrut or other). The hydrant shall have an integral vacuum breaker/backflow preventer and be approved under the ASSE 1052 standard. The hydrant shall have a 3/4" inlet and be made of brass with a satin nickel chromium finish. The roof penetration is to be sealed by the roofing contractor in accordance with the roofing codes and conditions in their municipality.