

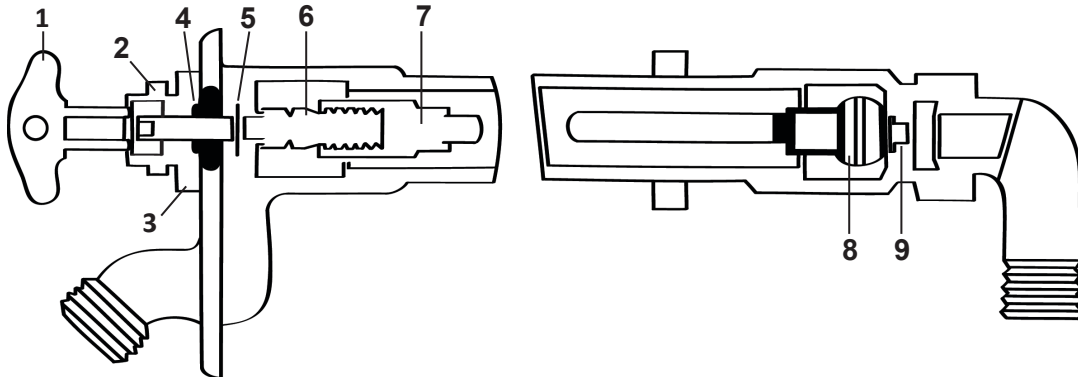
**RETIRED**



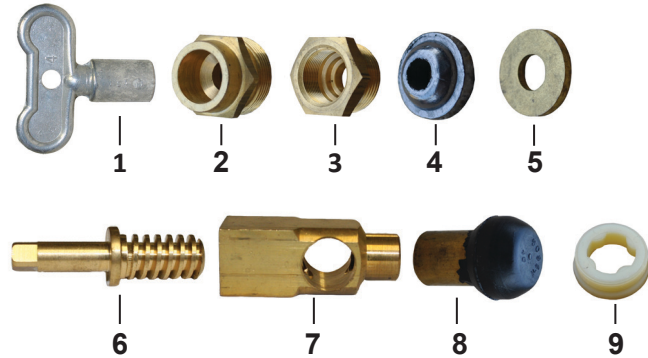
4515 East 139th Street  
 Grandview, MO 64030  
 (800) 362-9055  
 Fax (800) 362-1463  
 www.PRIER.com

# C-132/C-133 Commercial Hydrants

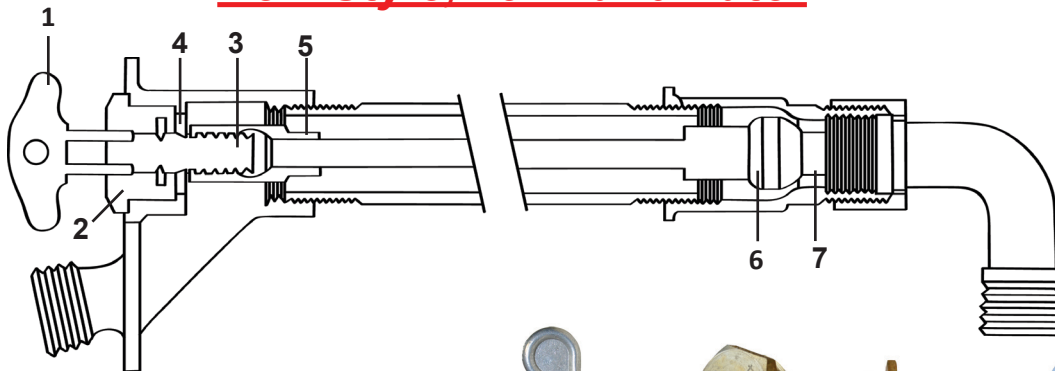
## Old Style, Prior to 1974



ID	Part Number	Description
1	C-235-007	Operating Key
2	310-2007	Packing Nut
3	310-2009	Worm Assembly Nut
4	394-2008	Packing
5	320-2011	Brass Packing Washer
6	310-2006	Worm Drive
7	310-2003	Worm Sleeve
8	392-2020	Seat Washer Plunger
9	391-2018	Nylon Seat
	Call PRIER	Brass Stem



## New Style, 1974 and Later



ID	Part Number	Description
1	C-235-007	Operating Key
2	310-4009	Bushing Nut
3	392-4005	Worm Stem Assembly
4	391-4008	Retainer Seal
5	310-4003	Worm Sleeve
6	392-2020	Seat Washer Plunger
7	391-2018	Nylon Seat
	Call PRIER	Brass Stem

