



4515 East 139th Street  
 Grandview, MO 64030  
 (800) 362-9055  
 Fax (800) 362-1463  
 www.PRIER.com

## Brick Buddy Wall Mounting Bracket

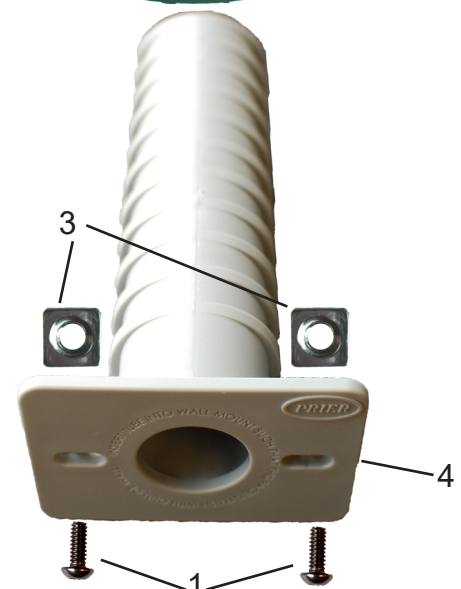
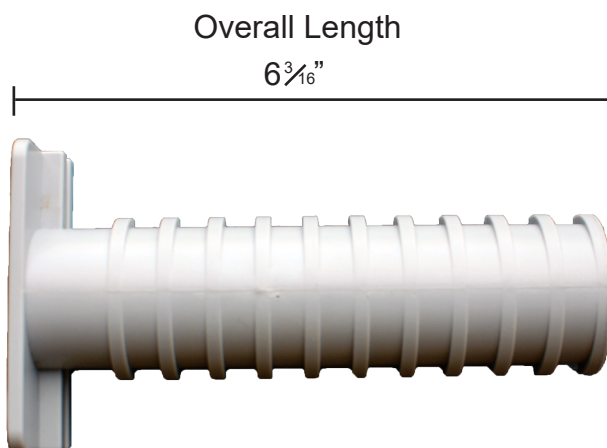
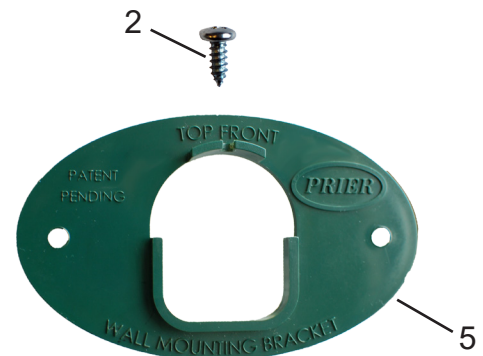
### P-WMB1

- Residential
- Wall Mount Bracket
- Adjustable
- Fits Most Models



The Brick Buddy Wall Mounting Bracket is used with the installation of residential hydrants in new construction homes. Providing a secure anchor for the hydrant, the Brick Buddy can be adjusted to fit the necessary depth (1"-6") of all kinds of masonry walls which will save time and the trouble of drilling through brick, stone, stucco or siding.

ID	Part No.	Description
1	314-0007	(2) Screw - 18-8 - 10-24.5" Phlps Hd Round
2	314-0013	Screw - Steel - No. 10 Phlps Hd Sheet Metal
3	314-0014	(2) Square Nut - 10-24 UNC
4	337-0011	Body - Plastic - P-WMB1
5	337-0012	Flange - Plastic for P-WMB1



Application

Replacement Parts

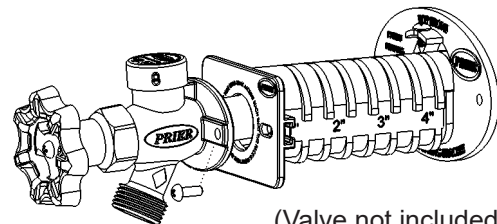
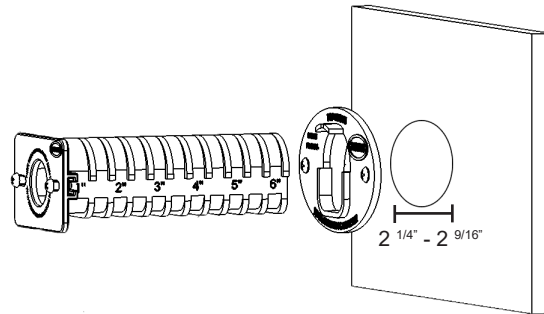
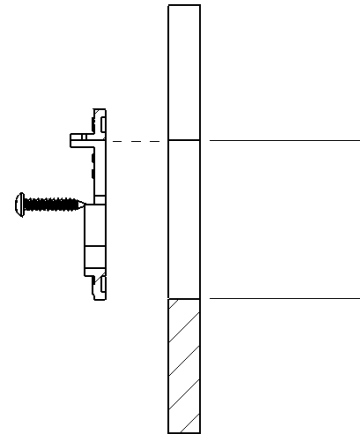


4515 East 139th Street  
Grandview, MO 64030  
(800) 362-9055  
Fax (800) 362-1463  
www.PRIER.com

## Installation

### Instructions:

1. Identify where on the wall this mounting bracket will be anchored and drill a  $2\frac{1}{4}$ " -  $2\frac{9}{16}$ " diameter hole.
2. Align green bracket so the top of sleeve hole is even with the top of drilled hole. Level the flange and mount it using the 2 screw holes provided (flange mounting screws not provided).
3. Insert the grey sleeve to the desired depth, such that the outer face of the sleeve will be flush with the front of the fascia (brick, stone, stucco, etc). When correct depth is set, use provided screw to lock in the sleeve through the top of the mounting flange. (Note: this screw can be removed and the sleeve adjusted at any time before the front fascia material is secured).
4. The grey faceplate has 2 adjustable slots to secure hydrant to sleeve. Face-plate mounting screws and nuts provided.



Thank you for purchasing the PRIER Brick Buddy P-WMB1. The Brick Buddy will help with the installation of most hydrants through masonry walls, however, it is designed to work best with PRIER Products, Inc. brand hydrants.

After installation with a hydrant, the Brick Buddy should not require any additional maintenance or operation instructions.

Should you have questions about installing the Brick Buddy, please call our customer service at 1-800-362-9055 or visit [www.PRIER.com](http://www.PRIER.com) for more information.