



P-002 Vacuum Breaker



- Anti-Siphon
- Backflow Check Valve
- Breakaway Set Screw

| Part No. | Description | Carton Qty | Carton Wt |
|----------|--|------------|-----------|
| P-002CP | ASSE 1011 Anti-Siphon VB and Backflow Check Valve (Chrome) | 36 | 10 lbs |
| P-002NP | ASSE 1011 Anti-Siphon VB and Backflow Check Valve (Nickel) | 36 | 10 lbs |

P-003 Vacuum Breaker



- Self-Draining
- Anti-Siphon
- Backflow Check Valve
- Breakaway Set Screw

| Part No. | Description | Carton Qty | Carton Wt |
|----------|---|------------|-----------|
| P-003NP | ASSE 1011 Self Draining, Anti-Siphon VB and Backflow Check Valve (Nickel) | 36 | 12 lbs |

P-004 Double Check Vacuum Breaker



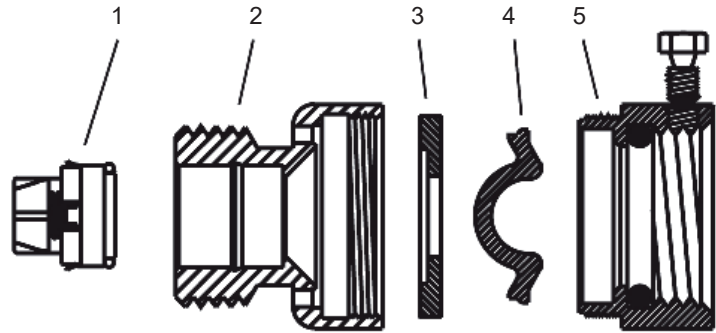
- Anti-Siphon
- Double Check
- Dual Backflow Check Valves
- Breakaway Set Screw

| Part No. | Description | Carton Qty | Carton Wt |
|----------|---|------------|-----------|
| P-004CP | ASSE 1052 VB & Backflow Check Valve-Double Check (Chrome) | 36 | 10 lbs |
| P-004NP | ASSE 1052 VB and Backflow Check Valve-Double Check (Nickel) | 36 | 10 lbs |



P-002 & P-004 PARTS DIAGRAM

| ID | Part No. | Description |
|----|----------|-------------------------------------|
| 1 | 399-0001 | Check Valve, Neoperl (P-004 only) |
| 2 | 310-0018 | Hose Piece, Nickel Plated |
| | 310-0022 | Hose piece, Chrome Plated |
| 3 | 336-0006 | Stepped Washer, Silicone |
| 4 | 337-0002 | Check Spider, Plastic |
| 5 | 310-0019 | Adapter w/ Set Screw, Nickel Plated |
| | 310-0023 | Adapter w/ Set Screw, Chrome Plated |
| 6 | 310-0047 | Set Screw |



P-003 PARTS DIAGRAM

| ID | Part No. | Description |
|----|----------|--------------------------------------|
| 1 | 310-0052 | Hose Piece - LF Brass, Nickel Plated |
| 2 | 346-0003 | Washer - Silicone |
| 3 | 337-0009 | Actuator - Plastic |
| 4 | 337-0010 | Poppet - Plastic |
| 5 | 324-0006 | Poppet Spring - Stainless |
| 6 | 324-0007 | Actuator Spring - Stainless |
| 7 | 310-0053 | Adapter - LF Brass, Nickel Plated |
| 8 | 310-0047 | Set Screw |
| 9 | 336-0007 | O-Ring EPDM |

