



Build With Purpose

Installation, Operation & Maintenance Instructions for PRIER P-002, P-003, and P-004 Vacuum Breakers / Backflow Preventers

Please leave this sheet for the property homeowner

Thank you for purchasing the PRIER P-002/P-003/P-004 Vacuum Breaker/Backflow Preventer. The product you have purchased will help protect the potable water system by not allowing potentially contaminated water to siphon or backflow into the potable water system. Some type of vacuum breaker/backflow preventer is recommended on all hose threads.

P-002, P-003 & P-004 VACUUM BREAKER / BACKFLOW PREVENTER

WARNING

The PRIER P-002, P-003 & P-004 Vacuum Breaker/Backflow Preventers are recommended for installation on a sill faucet, boiler drain or self-draining freezeless hydrant. Installation of a P-002 or P-004 Vacuum Breaker/Backflow Preventer on a standard freezeless hydrant will prevent the hydrant from draining after shutoff, possibly damaging the hydrant during freezing temperatures. If you are going to install a vacuum breaker/backflow preventer on a standard freezeless hydrant, PRIER recommends our P-003 Self-Draining Vacuum Breaker/Backflow Preventer.

INSTALLATION

Install the vacuum breaker/backflow preventer onto the hose threads until it is hand tight. Turn the water on to assure no leakage through the threads. Once you have assured a water tight connection, tighten the set screw on the vacuum breaker/backflow preventer until it “breaks off” securing the vacuum breaker/backflow preventer permanently on the hose threads.

OPERATION

These vacuum breakers operate on their own with no owner interference. To prevent freezing, it is required that you remove the hose.

MAINTENANCE

These vacuum breakers require no scheduled maintenance to provide long wear life.

REPAIR

To repair a vacuum breaker, it first needs to be removed from the valve. The vacuum breaker is sealed to the valve and needs to be heated with a torch to be removed. Once it is removed you can reinstall the new parts in the order shown in the parts diagram on page 2.

FIELD TEST INSTRUCTIONS (P-004 ONLY)

1. Attach a hose with a lever-type spray nozzle to a correctly installed P-004 Double Check Valve Vacuum Breaker.
2. Turn on the water supply and purge all air from the P-004, hose, and spray nozzle by running water through the spray nozzle. Ensure that there are no leaks in the system before continuing.
3. Open the spray nozzle and then close it quickly while observing the P-004. If water leaks from the P-004 vent holes, it is not functioning correctly.
4. Turn off the water supply and relieve pressure from the hose by opening the spray nozzle while it is pointing upward, thus ensuring the hose remains filled with water once the pressure is relieved.
5. Slowly raise the spray nozzle to a height of 10 feet while observing the P-004. No water should leak from the P-004 vent hole. If water leaks from the vent holes, it is not functioning correctly.
6. If the P-004 passes tests 3 and 5, the unit is functioning properly. If the unit does not pass tests 3 and/or 5, the unit needs repairing or replacing.



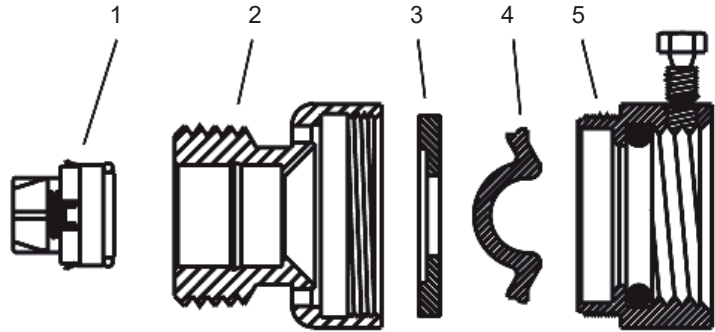
Build With Purpose

Installation, Operation & Maintenance Instructions for PRIER P-002, P-003, and P-004 Vacuum Breakers / Backflow Preventers

Please leave this sheet for the property homeowner

P-002 & P-004 PARTS DIAGRAM

ID	Part No.	Description
1	399-0001	Check Valve, Neoperl (P-004 only)
2	310-0018	Hose Piece, Nickel Plated
	310-0022	Hose piece, Chrome Plated
3	336-0006	Stepped Washer, Silicone
4	337-0002	Check Spider, Plastic
5	310-0019	Adapter w/ Set Screw, Nickel Plated
	310-0023	Adapter w/ Set Screw, Chrome Plated
6	310-0047	Set Screw



P-003 PARTS DIAGRAM

ID	Part No.	Description
1	310-0052	Hose Piece - LF Brass, Nickel Plated
2	346-0003	Washer - Silicone
3	337-0009	Actuator - Plastic
4	337-0010	Poppet - Plastic
5	324-0006	Poppet Spring - Stainless
6	324-0007	Actuator Spring - Stainless
7	310-0053	Adapter - LF Brass, Nickel Plated
8	310-0047	Set Screw
9	336-0007	O-Ring EPDM

