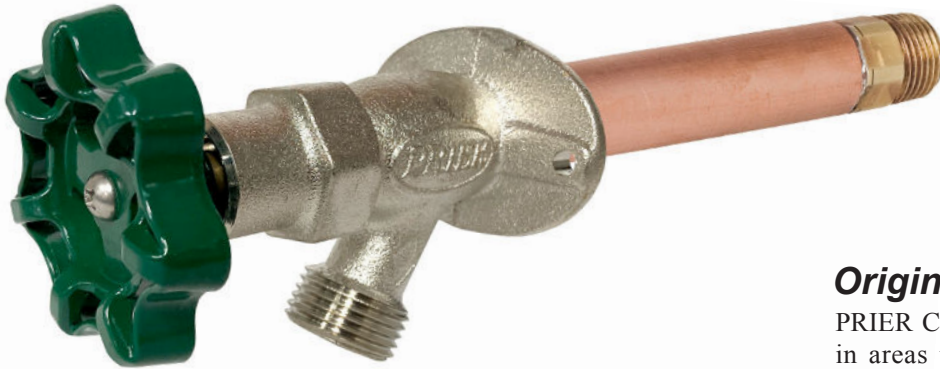




Build With Purpose

C-134/234 Series Freezeless Wall Hydrant



DIAMOND
Series



Original Heavy Duty Style

PRIER C-134 provides a year round source of water in areas that are subject to freezing temperatures. The hydrant valve is connected to the supply piping in the heated portion of the structure, eliminating the possibility of freezing. Ordering the C-234 gives you the same style hydrant but with a vandal proof extended lockshield and operating key.

The PRIER C-134 is the original freezeless hydrant that is made in the same heavy pattern fashion that made it famous. It is available from stock in lengths from close coupled to 24". Longer sizes are available upon request.



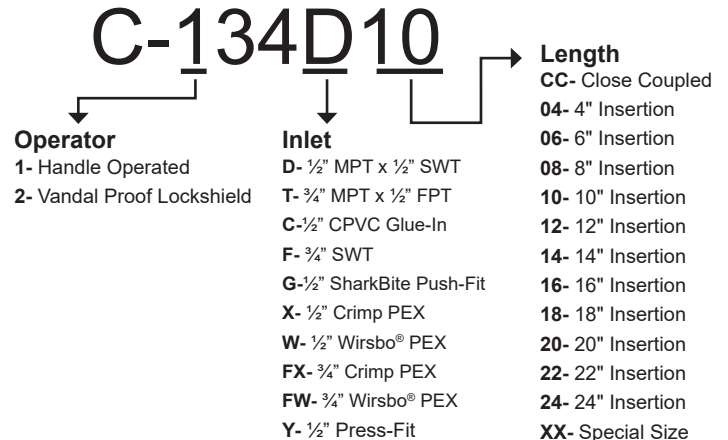
C-234 Loose Key Design

- Residential
- Freezeless
- Metal Handle
- Satin Nickel Plated

FEATURES

- Wide and enclosed screw holes easily secure mounting screws
- Integral cast flange with built-in drainage pitch
- Solid brass body, valve stem cap, seat and stem ends
- Satin nickel plated body maintains attractive finish
- Stainless steel screws
- Powder coated cast aluminum handle
- Lock shield cap
- AFG teflon with graphite packing for easy maintenance
- Standard "OO" size seat washer
- Each valve air-tested at factory for leak-free quality
- Spout aligning mark with manufacturer's date code

ORDERING



INLET STYLES



D Style
1/2" MPT x 1/2" SWT



T Style
3/4" MPT x 1/2" FPT



C Style
1/2" CPVC Glue-In



F Style
3/4" SWT



G Style
1/2" SharkBite Push-Fit



Y Style
1/2" Press-Fit



X Style
1/2" Crimp PEX



W Style
1/2" Wirsbo® PEX



FX Style
3/4" Crimp PEX

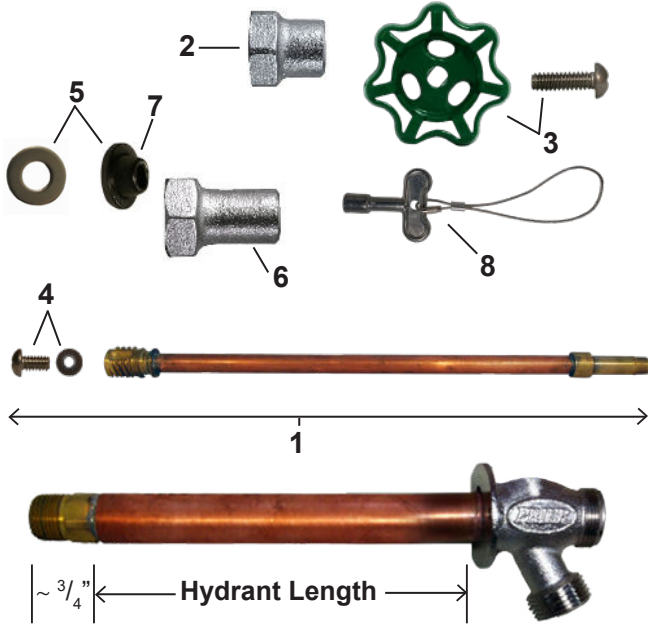


FW Style
3/4" Wirsbo® PEX



Build With Purpose

C-134 REPLACEMENT PARTS



ID	Part No.	Description
1	See Replacement Stems Section	Stem Assembly, Contains: 1, 4
2	300-1008	Valve Stem Cap
3	C-134KT-805	Handle and Screw Kit
4	C-134KT-802	Seat Washer Replacement Kit (00 Beveled)
5	C-134KT-803	Stem Packing Replacement Kit
6	310-1015	Valve Stem Cap for Loose Key
7	390-1001	Stem Packing Only
8	C-108KT-808	Oval Style Key on Lanyard
	C-134KT-804	Handle to Loose Key Conversion Kit Contains: 5, 6, 8
	C-234KT-804	Loose Key to Handle Conversion Kit Contains: 2, 3, 5
	C-134KT-807	C-134 Overhaul Kit Contains: 3, 4, 5

REPLACEMENT STEMS



G Style Manufactured April 2013 - Present

Part No.	Style	Stem Length	Description
P-231-11CC	G	4 ³ / ₈ " OAL	Close Coupled Stem for C-134 Hydrant
P-231-1104	G	6 ⁷ / ₈ " OAL	Stem for C-134 Hydrant
P-231-1106	G	8 ⁷ / ₈ " OAL	Stem for C-134 Hydrant
P-231-1108	G	10 ⁷ / ₈ " OAL	Stem for C-134 Hydrant
P-231-1110	G	12 ⁷ / ₈ " OAL	Stem for C-134 Hydrant
P-231-1112	G	14 ⁷ / ₈ " OAL	Stem for C-134 Hydrant
P-231-1114	G	16 ⁷ / ₈ " OAL	Stem for C-134 Hydrant
P-231-1116	G	18 ⁷ / ₈ " OAL	Stem for C-134 Hydrant
P-231-1118	G	20 ⁷ / ₈ " OAL	Stem for C-134 Hydrant
P-231-1120	G	22 ⁷ / ₈ " OAL	Stem for C-134 Hydrant
P-231-1122	G	24 ⁷ / ₈ " OAL	Stem for C-134 Hydrant
P-231-1124	G	26 ⁷ / ₈ " OAL	Stem for C-134 Hydrant

***For stems manufactured before 2013, see C-134 Series retired style spec sheet at PRIER.com. PRIER universal stems are replacement stems for any size from close coupled to 14." The P-231-11US Universal Stem requires cutting the rod to proper length and soldering the brass stem end to the rod as directed in instructions.*