



C-633 Mild Climate Commercial Wall Hydrant

C-633NCC
Straight Pattern Inlet



C-633NSV
360° Swivel Inlet



Find us in

MasterSpec

a product of The American Institute of Architects



With Integral P-004 Vacuum Breaker

The C-633 Series is a heavy duty wall hydrant designed for installation in mild climates or areas with minimal freeze conditions. The C-633NSV has a versatile 360° swivel, while the C-633NCC has a straight brass pipe connection. Both models have inlets that will connect to either 3/4" MPT or 1" FPT pipe in tight spaces. These commercial wall hydrants are key operated, code approved, and flow up to 16 GPM. The PRIER C-633 Mild Climate Wall Hydrants provide a year-round hose threaded source of water for structures.

The ASSE 1052-approved integral vacuum breaker/backflow preventer provides protection against cross-connection with the potable water system, utilizing a double check valve to prevent back pressure and a vacuum breaker to vent in the case of siphonage. A removable operating key is provided to prevent unauthorized use of the hydrant.

- **Anti-Siphon**
- **Commercial / Industrial**
- **Backflow Check Valve**
- **Horizontal or Vertical Installation**

FEATURES

- Listed and labeled to ASSE 1052, IAPMO/C-UPC
- Satin nickel plated body maintains an attractive finish
- Multiple vent holes ensure proper draining and reduce problems associated with insect nesting
- Patented PRIER "Triple Seal" positive shutoff system offers triple redundancy to assure shutoff
- High flow rate, 16 gallons per minute at 25 PSI differential
- Same key operates box lock and hydrant
- Heavy patterned, high quality brass castings
- Self-draining, even with hose attached and under pressure
- Tested to 250,000 cycles; designed to last the life of the plumbing system
- C-633NSV inlet can be rotated any direction to simplify installation
- Self-cleaning springless backflow check valve prevents water hammer and system noise
- See box and gasket features on C-634

ORDERING

Wall Hydrant Only

C-633N

Inlet

N- 1" MPT x 3/4" FPT
P- 1" Male SWT x 3/4" Female SWT
V- 3/4" ProPress Ready

*P and V inlets only available with CC length

Handle

Add -HDL to end of part number to order handle

Length

SV- 360° Swivel



Optional Hydrant Box

C-634BX1

Box Finish

BX1- Satin Nickel Plated
BX2- Rough Brass
BX3- Aluminum
RB1- Round Box (Satin Nickel Plated)

Cylinder Lock

Add -CL to end of part number to order cylinder lock

C-634 Gasket

Included with all C-634 hydrant boxes



BX1



BX2



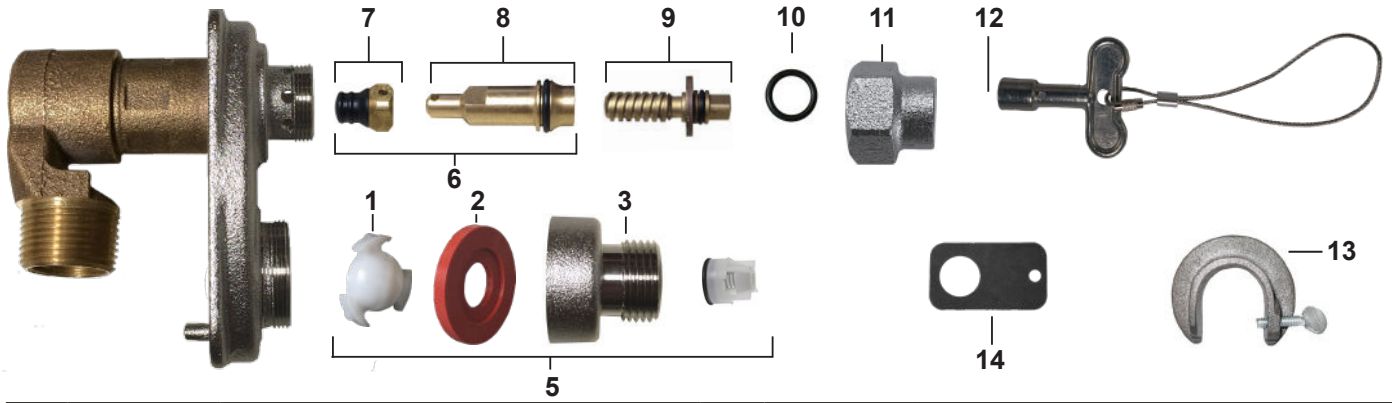
BX3



RB1



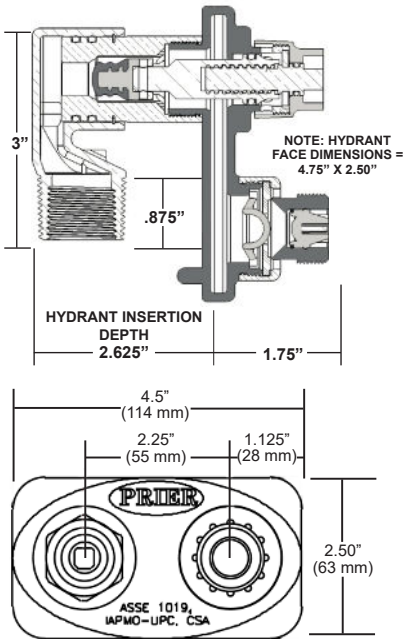
C-633 REPLACEMENT PARTS AND STEMS



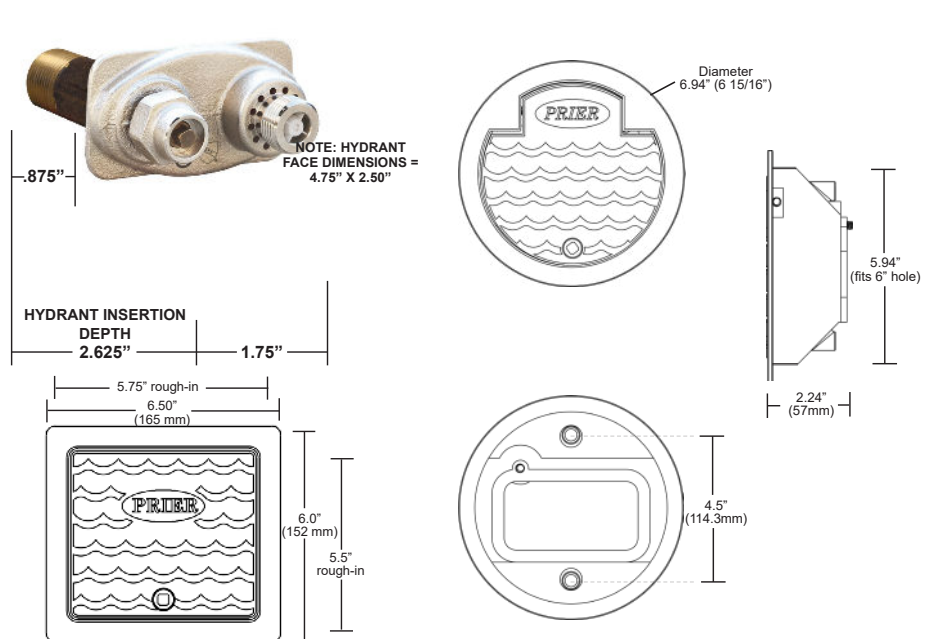
ID	Part No.	Description	ID	Part No.	Description
1	337-6001	Check Spider-Vacuum Breaker	8	C-633KT-808	Worm Sleeve with O-Ring
2	346-6001	Diaphragm-Vacuum Breaker	9	C-634KT-809	Worm Drive Assemble with O-Ring
3	300-6004	3/4" Hose Piece (NP Brass)	10	336-0001	O-Ring
	310-6009	1" Hose Piece (NP Brass)	11	300-6003	Valve Stem Cap (NP Brass)
4	399-0001	Secondary Check	12	C-108KT-808	Loose Key on Lanyard
5	C-634KT-806	Vacuum Breaker Assembly	13	C-634WCR	Wall Clamping Ring
6	P-231-06CC	Stem Assembly	14	346-0004	C-634 Gasket
7	C-634KT-802	Stopper Kit, Includes Stopper and Pin		C-633KT-807	C-633 Overhaul Kit, Contains: 5, 6, 9, 12

ROUGH-IN DIMENSIONS

C-633NSV (360° Swivel)



C-633NCC (Straight)



SPECS

Furnish and install (choose C-633NSV Model or C-633NCC Model) commercial key operated wall hydrant manufactured by PRIER Products, Inc. Hydrant shall be surface mounted and shall have automatic draining capabilities with integral vacuum breaker/backflow preventer. Hydrant shall be capable of flowing a minimum of 16 gallons per minute at 25 PSI differential. Hydrant shaft shall be brass with double connections. Hydrant shall have (choose 3/4" or 1") hose connection with self draining functions, one piece valve plunger, satin nickel finish, brass operating rod with positive triple-seal shutoff mechanism. Hydrant shall be approved under ASSE 1052 standards. Operating key with lanyard to be furnished with each hydrant. Hydrant insertion to be specified as C-633NCC (straight with 3/4" FPT x 1" MPT connections), C-633PCC (straight with 3/4" x 1" sweat connections), C-633VCC (straight with 3/4" press-ready connection) or C-633NSV (360° swivel with 3/4" FPT x 1" MPT connections).

Optional: Furnish and install flush-mount hydrant box for each valve. Hydrant box shall be manufactured of solid cast brass or aluminum with a rough brass, satin nickel plated brass or aluminum (choose one) finish. Box shape may be round or square and round box only comes with satin nickel finish. Box may be installed separately and hydrant be insertable and removable from front of the box. Access to the hydrant box shall be provided by the same operating key as the valve. A gasket shall be installed between the box and hydrant to prevent water intrusion into the structure.