



P-002 Vacuum Breaker



- Anti-Siphon
- Backflow Check Valve
- Breakaway Set Screw

Part No.	Description	Carton Qty	Carton Wt
P-002CP	ASSE 1011 Anti-Siphon VB and Backflow Check Valve (Chrome)	36	10 lbs
P-002NP	ASSE 1011 Anti-Siphon VB and Backflow Check Valve (Nickel)	36	10 lbs

Per ASSE 1011, pressure rated to 125 PSI, temperature to 180°

P-003 Vacuum Breaker



- Self-Draining
- Anti-Siphon
- Backflow Check Valve
- Breakaway Set Screw

Part No.	Description	Carton Qty	Carton Wt
P-003NP	ASSE 1011 Self Draining, Anti-Siphon VB and Backflow Check Valve (Nickel)	36	12 lbs

Per ASSE 1011, pressure rated to 125 PSI, temperature to 180°

P-004 Double Check Vacuum Breaker



- Anti-Siphon
- Double Check
- Dual Backflow Check Valves
- Breakaway Set Screw

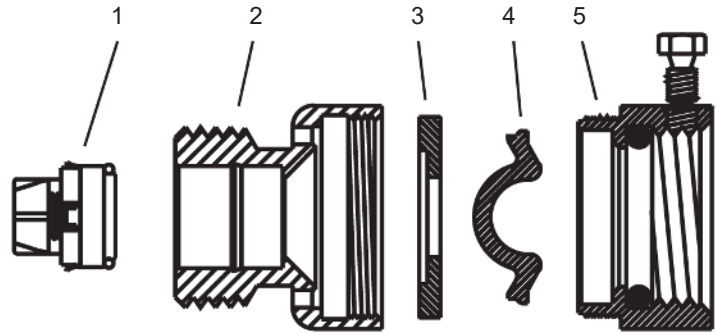
Part No.	Description	Carton Qty	Carton Wt
P-004CP	ASSE 1052 VB & Backflow Check Valve-Double Check (Chrome)	36	10 lbs
P-004NP	ASSE 1052 VB and Backflow Check Valve-Double Check (Nickel)	36	10 lbs

Per ASSE 1052, pressure rated to 125 PSI, temperature to 140°



P-002 & P-004 PARTS DIAGRAM

ID	Part No.	Description
1	399-0001	Check Valve, Neoperl (P-004 only)
2	310-0018	Hose Piece, Nickel Plated
	310-0022	Hose piece, Chrome Plated
3	336-0006	Stepped Washer, Silicone
4	337-0002	Check Spider, Plastic
5	310-0019	Adapter w/ Set Screw, Nickel Plated
	310-0023	Adapter w/ Set Screw, Chrome Plated
6	310-0047	Set Screw



P-003 PARTS DIAGRAM

ID	Part No.	Description
1	310-0052	Hose Piece - LF Brass, Nickel Plated
2	346-0003	Washer - Silicone
3	337-0009	Actuator - Plastic
4	337-0010	Poppet - Plastic
5	324-0006	Poppet Spring - Stainless
6	324-0007	Actuator Spring - Stainless
7	310-0053	Adapter - LF Brass, Nickel Plated
8	310-0047	Set Screw
9	336-0007	O-Ring EPDM

