



# P-156/166 Exposed Pipe Angle Sill Faucet



- **Anti-Siphon**
- **Commercial**
- **Integral Shut Off**
- **Top & Bottom Inlets**

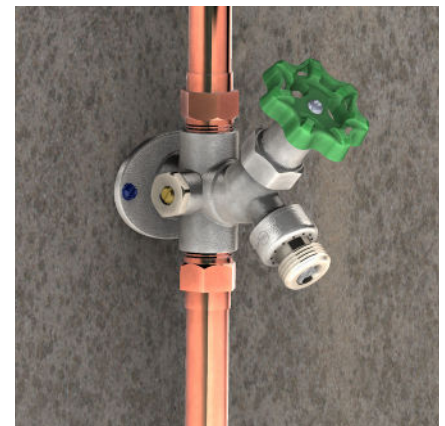
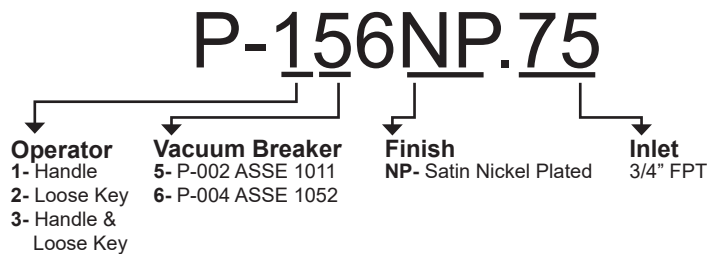
## *With Integral P-002 Vacuum Breaker or P-004 Double Check Vacuum Breaker*

PRIER's exposed pipe angle sill faucets are designed for areas that require water service with an anti-siphon backflow check valve connection, but are not subject to freezing temperatures. Typical installations include outdoor connections in mild climates or any indoor installation for residential, commercial, institutional and industrial applications. The heavy pattern design with solid brass stem assures years of reliable service with minimal maintenance.

## FEATURES

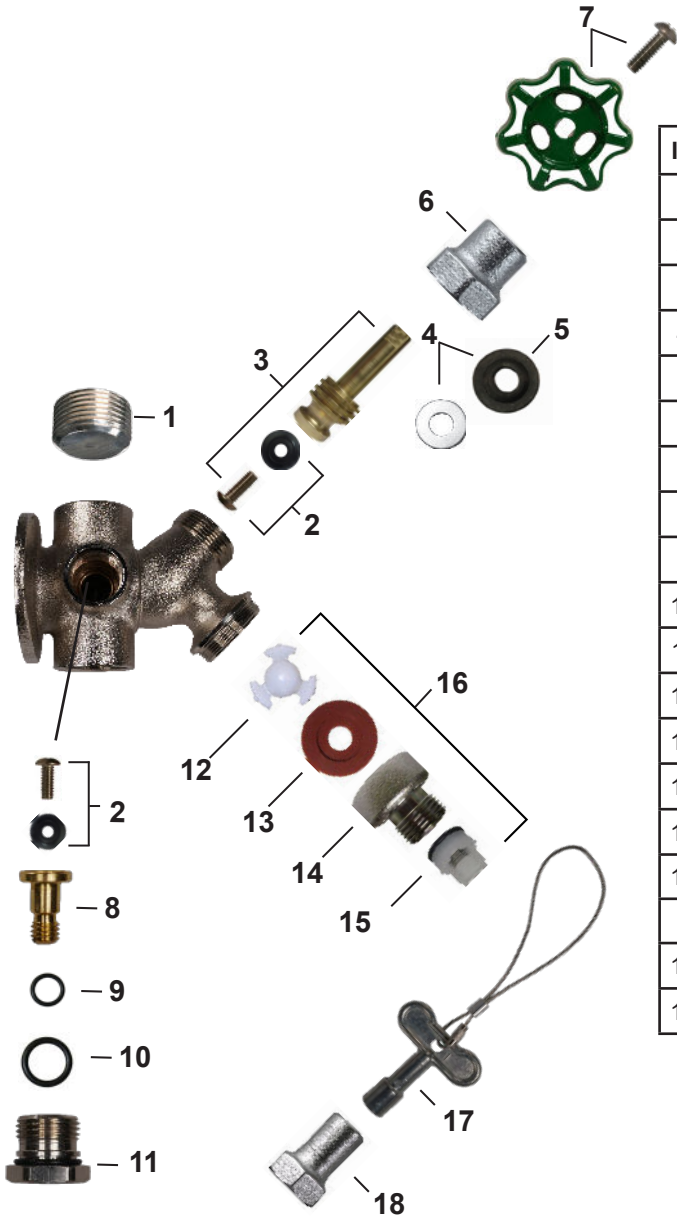
- Heavy pattern satin nickel plated cast brass construction with solid cast brass mounting flange with enclosed screw holes
- 3/4" FPT inlet option on top and bottom for flexibility during installation
- Includes brass plug for easy close-off and 'drain down' for the system
- Integral shut off allows valve to be shut off and serviced without shutting off entire system
- Powder coated aluminum metal handle or operating key on loose key vandal proof angle sill faucets
- Stainless steel seat washer screw and handle screw
- Full circle ACME threads on stem assembly with standard 1/4" L size seat washer
- AFG teflon with graphite packing
- P-156, P-256 and P-356 have a P-002 vacuum breaker backflow check valve approved under ASSE 1011, pressure rated to 125 PSI, temperature to 180°
- P-166, P-266, and P-366 have a P-004 vacuum breaker backflow double check valve approved under ASSE 1052, pressure rated to 125 PSI, temperature to 140°

## ORDERING





## P-156/166 REPLACEMENT PARTS



ID	Part No.	Description
1	310-0087	Plug
2	C-135KT-802	1/4" Beveled Seat Washer Kit
3	231-0001	Stem Assembly (Brass) Rod
4	C-134KT-803	Stem Packing Kit
5	390-1001	Packing Only
6	300-1008	Valve Stem Cap (Nickel Plated)
7	C-134KT-805	Handle and Screw Kit (Aluminum Powder Coated)
8	310-0082	Stem, Integral Stop
9	336-0012	EPDM O-ring
10	336-6001	EPDM O-ring
11	310-0081	Nut, Integral Stop
12	337-0002	Check Spider (Acetal)
13	336-0006	Stepped Washer (Silicone)
14	310-0018	Vacuum Breaker Hose Piece
15	399-0001	Check Valve
16	C-434KT-906	Vacuum Breaker Assembly
	C-134KT-804	Loose Key Conversion Kit, Contains: 4, 17, 18
17	C-108KT-808	Loose Key on Lanyard
18	310-1015	Extended Valve Stem Cap (Nickel Plated)

## SPECS

Furnish and install Model P-156 / 256 / 356 / 166 / 266 / 366 (choose one) Exposed Piping Angle Sill Faucet as manufactured by PRIER Products Inc. Angle Sill Faucet shall be surface mounted and installed using female pipe thread inlet connections.

Angle Sill Faucet should be designed for direct surface mounted of exposed piping. It should contain an integral shut off to service valve without shutting off system water and have a through valve connection for installation in series. Flow rate shall be a minimum of 7 gallons per minute at 25 psi differential pressure and be at full flow in a single handle rotation. Angle Sill Faucet shall have 3/4" garden hose outlet connection with dual 3/4" FPT inlet connections. A plug shall be provided with each valve for endpoint connections. Angle Sill Faucet should feature solid brass body, all non-ferrous materials and satin nickel plating.