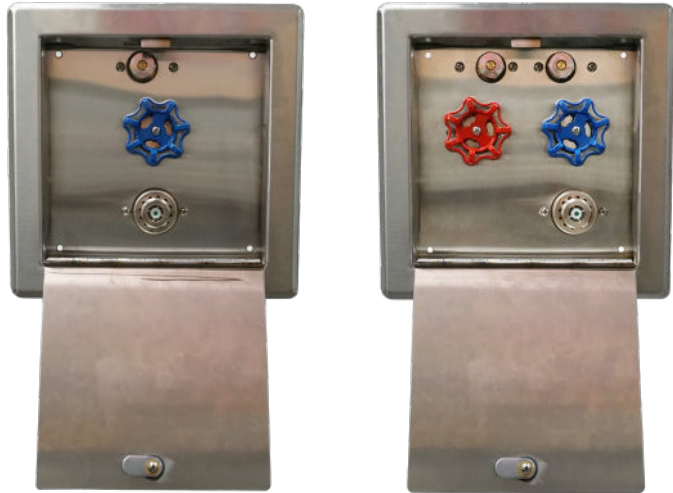




# P-623 & P-628 Narrow Wall Hydrant



MasterSpec®



## Narrow Wall Commercial Valves

The PRIER P-623 and P-628 Narrow Wall Commercial Wall Hydrants are built for interior walls and non-freezing/mild climate applications. Great for healthcare facilities, institutions, stadiums, swimming pools, and other large recreational areas.

The P-623 is single temperature while the P-628 features both hot & cold inlets. Both valves come with a lockable, stainless-steel box, offer a variety of installation options, and have integral shutoffs for simple future maintenance. They are designed to last the life of the plumbing system. No special installation tools are required.

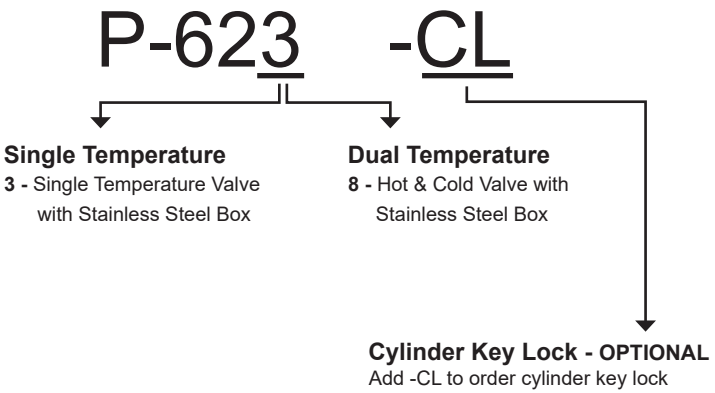
- **Anti-Siphon**
- **Dual Backflow Check Valves**
- **Commercial / Industrial**
- **Hot & Cold Mixing**
- **Lead-Free**

## FEATURES

- Narrow Wall Installation-valve, piping & box fit inside standard 4" wall
- High flow rate, 8 GPM at 25 PSI Δ pressure
- P-004 vacuum breaker backflow double check valve approved under ASSE 1052, UPC and cUPC listed & labeled
- Lead-Free NSF 372 listed & labeled
- 3/4" FPT inlet connections x 3/4" GHT outlet
- Per ASSE 1052, pressure rated to 125 PSI, temperature to 140° F
- Full-sized handles for easy operation
- Removable handles for loose-key operation
- Designed to last the life of the plumbing system
- Four mounting holes on backplate for secure installation
- Single and multi-temp valves are available
- 18 gauge 304 stainless steel box
- Adjustable box depth for use with different depth wall finishes
- No visible fasteners when door is closed
- Cylinder key lock option, cam lock standard
- Valve and box orientation options
- Integral screwdriver stops for simple future maintenance

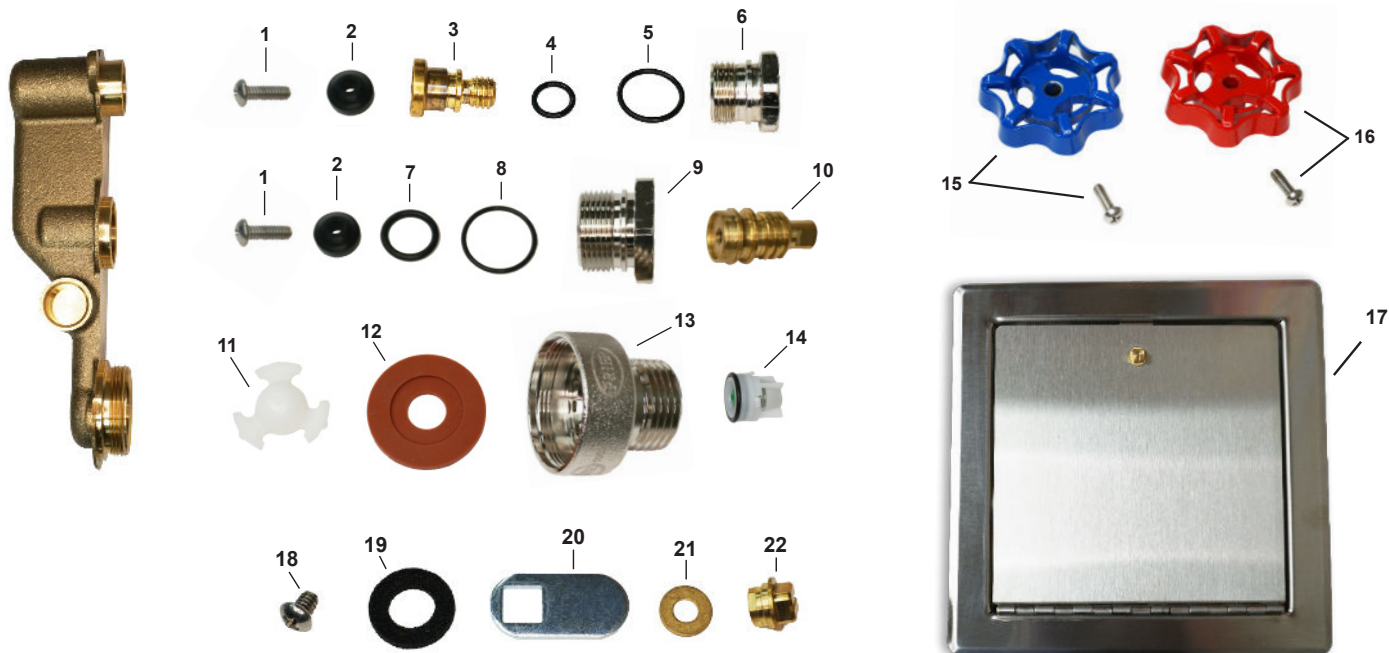
## ORDERING

### Wall Hydrant with Box



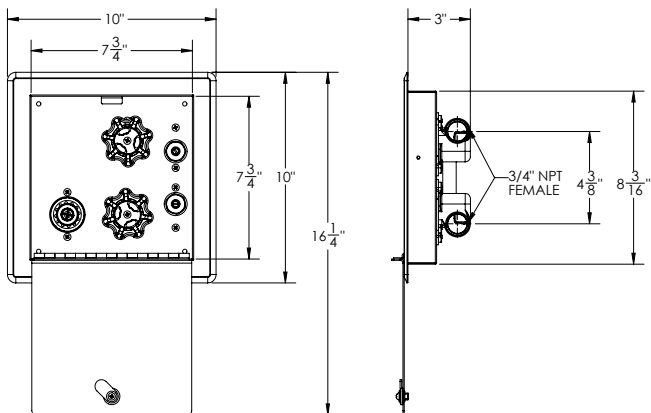
**Optional Loose Key**  
C-108KT-808 Loose Key on Lanyard

# P-623 & P-628 REPLACEMENT PARTS



ID	Part No.	Description	ID	Part No.	Description
1	314-0007	Bibb Screw	14	399-0001	Secondary Check for ASSE 1052
2	340-1004	Seat Washer	15	P-623KT-805	Blue Handle and Screw Kit
3	310-0082	Stem, Integral Stop	16	C-108KT-805	Red Handle and Screw Kit
4	336-6001	O-Ring, Integral Stop Stem	17	224-0001	Door Frame Assembly
5	336-0012	O-Ring, Integral Stop	18	314-0005	Screw, Lock
6	310-0081	Nut, Integral Stop	19	320-0002	Shim Washer
7	336-0001	O-Ring, Handle Stem	20	324-0010	Cam latch
8	336-0005	O-Ring, Stem Cap	21	346-0009	Gasket, Lock
9	310-6020	Valve Stem Cap	22	310-0096	Key Post
10	310-6021	Stem, Handle		P-623KT-802	Handle Seal Kit, includes 2, 7, 8
11	337-6001	Check Spider-Vacuum Breaker		C-634KT-806	Vacuum Breaker Assembly, includes 11, 12, 13, 14
12	346-6001	Diaphragm-Vacuum Breaker		P-623KT-808	Integral Stop Assembly, includes 1, 2, 3, 4, 5
13	300-6004	3/4" Hose Piece (NP Brass)		P-231-1900	Replacement Stem Assembly, includes 1, 2, 7, 8, 10

## ROUGH-IN DIMENSIONS



## SPECS

Furnish and install model P-623 Single Temperature Narrow Wall Hydrant or P-628 Hot & Cold Narrow Wall Hydrant (choose one) manufactured by PRIER Products, Inc. Inlet connections shall be 3/4" FPT. Hydrant flow shall be a minimum of 8 GPM at 25 PSI differential and activated with operating handle(s), with an option for loose-key operation. Hydrant shall incorporate screw-driver shutoffs for incoming water and be maintainable without shutting down building water. Hydrant shall be serviceable from the front of the valve. Hydrant shall be approved and listed to ASSE 1052, ASSE NSF 372 and cUPC Standards. Valve box shall be stainless steel with a minimum thickness of 18 gauge with a hinged cover. Hydrant box cover should be adjustable for both depth and orientation for ease of installation. Installed depth of the hydrant and box should be no more than 3 1/8".