



## Installation, Operation & Maintenance Instructions for the PRIER P-156 Exposed Pipe Angle Sill Faucet

**Build With Purpose**

Please leave this sheet for the property homeowner

Thank you for purchasing the PRIER P-156/256/356 Angle Sill Faucet, the finest quality commercial hydrant available. Your P-156/256/356 will provide you years of dependable service with little or no maintenance. Please note: Your P-156/256/356 hydrant has drain holes under the packing nut. After shutoff, the drain holes will allow water to drain for a few moments to prevent freezing. This is normal and according to design.

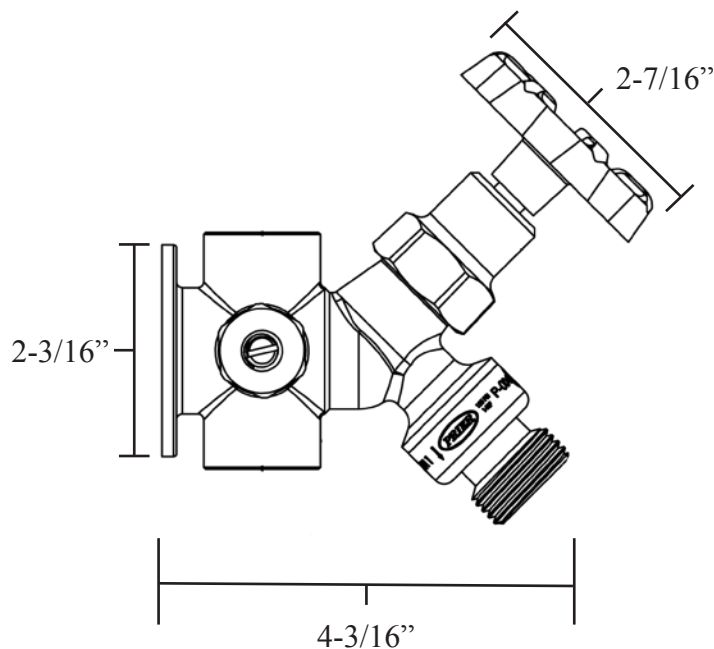
### INSTALLATION

---

1. Determine the location for installation of the angle sill faucet.
2. PRIER Angle Sill Faucets are designed for installation with the handle in the “up” position and the hose threads pointing in the “down” position.
3. Flush all foreign particles from the water line before connecting the valve. Foreign particles may clog the vacuum breaker/backflow preventor causing it to fail.
4. Secure the angle sill faucet to the supply piping using pipe thread sealant or Teflon tape. The supply can be attached to either the top or the bottom inlet. Test the installation for leakage.
5. If connecting multiple sill faucets together in series, the other inlet (top or bottom) can be piped downstream to the next sill faucet.
6. If the faucet is the only one or last one in the series, thread on the enclosed plug using the thread sealant or Teflon tape to close off the unused inlet.
7. Secure the angle sill faucet to the structure using appropriate rust resistant fasteners.

### ROUGH-IN DIMENSIONS

---





**Build With Purpose**

## **Installation, Operation & Maintenance Instructions for the PRIER P-156 Exposed Pipe Angle Sill Faucet**

**Please leave this sheet for the property homeowner**

### **OPERATION**

---

Operation of the P-156/256/256 Exposed Pipe Angle Sill Faucet is a simple process. To open the valve, turn the operator counterclockwise. To close the valve, turn the operator clockwise.

Do not overturn when opening or closing the valve.

### **MAINTENANCE**

---

PRIER angle sill faucets require no scheduled maintenance for long wear life. The vacuum breaker/backflow preventor may require service if there are suspended solids in the water as they may clog the apparatus.

An integral stop is provided on the side of the sill faucet to shut-off flow to the outlet while servicing the valve. Use a flat head screw driver to close the stop. After performing maintenance, remember to open the stop and make sure the valve is operating properly.

Note: see P-004 Installation, Operation, and Maintenance Instructions for more details on vacuum breaker.